

8

7

6

5

4

3

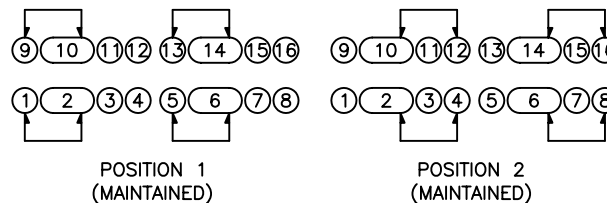
2

1

A

A

SCHEMATIC



SPECIFICATIONS

FUNCTION:
4P2T ON-ON

RATINGS:
0.5A 50VDC

CONTACT RESISTANCE:
Initial: 30mΩ Max.

INSULATION RESISTANCE:
500MΩ Min. at 500VDC

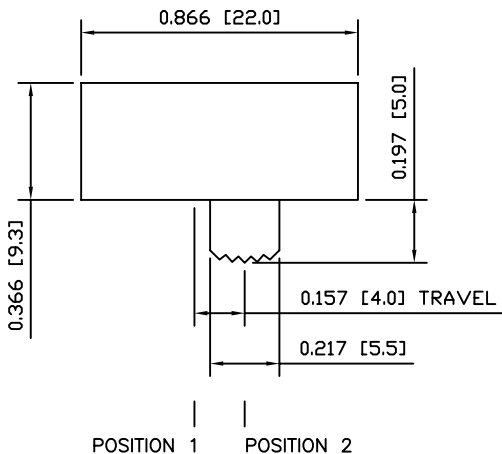
DIELECTRIC STRENGTH:
500VAC For 1 Minute

ELECTRICAL LIFE:
10,000 Cycles

APPROVALS:



B



MATERIALS

UPPER BODY:
Steel

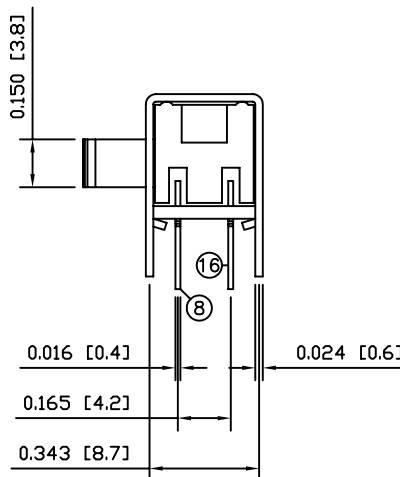
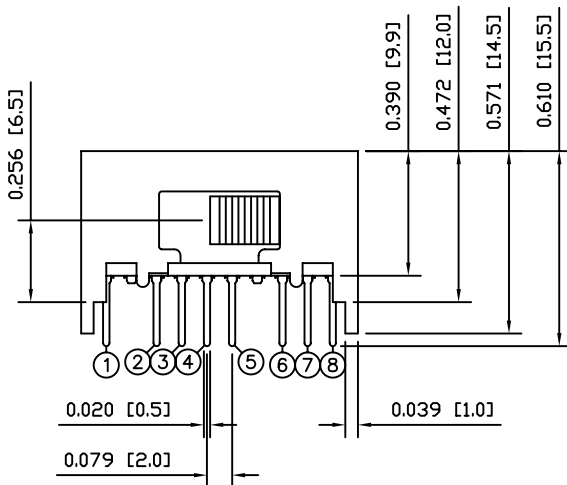
LOWER BODY:
Penolic Board (SDF-600C), UL94 V-0

ACTUATOR:
Aluminum
Acrylonitrile Butadiene Styrene (ABS)
(Polylac PA-765), UL94 V-0

CONTACTS:
Silver Plated Copper

TERMINALS:
Silver Plated Brass

C



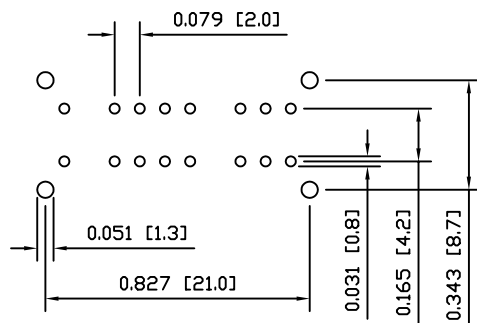
COLORS

BODY:
Metallic

ACTUATOR:
Black

D

SUGGESTED PCB LAYOUT



8

7

6

5

4

3

2

1

UNLESS OTHERWISE SPECIFIED,
DIMENSIONS ARE IN INCHES [MILLIMETERS]
TOLERANCES ARE:

DEC .X±0.2	ANG ± 1°
.XXX±0.008	DRAWING NOT TO SCALE
DRAWN BY: KEITH MARCOE	

	P.O. Box 25110 Portland, OR 97298	LAST REVISION: MAY 10, 2007
	DRAWING NUMBER: 03-LSK-420201A5.dwg	

LSK-420201A5