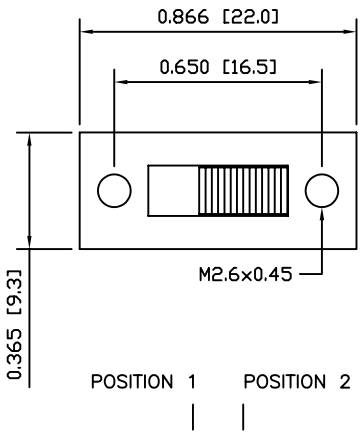
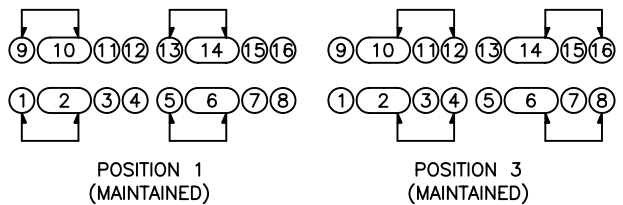


A



SCHEMATIC



SPECIFICATIONS

FUNCTION:
4P2T ON-ON

RATINGS:
0.5A 50VDC

CONTACT RESISTANCE:
Initial: 30mΩ Max.

INSULATION RESISTANCE:
500MΩ Min. at 500VDC

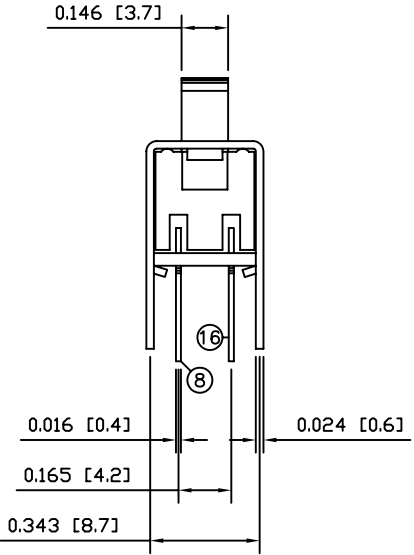
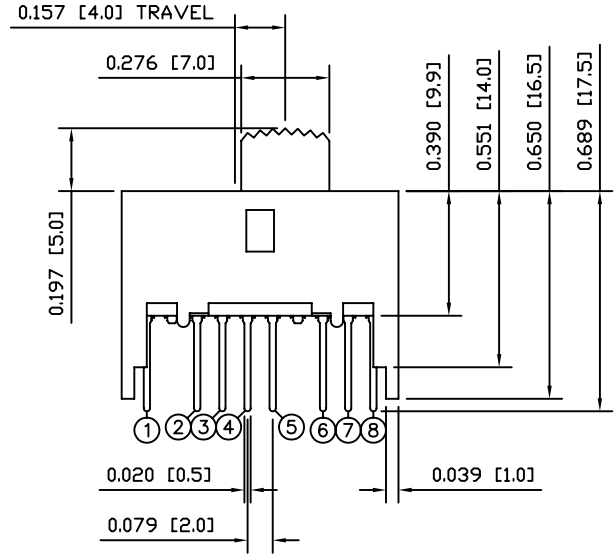
DIELECTRIC STRENGTH:
500VAC For 1 Minute

ELECTRICAL LIFE:
10,000 Cycles

APPROVALS:



B



MATERIALS

UPPER BODY:
Steel

LOWER BODY:
Penolic Board (SDF-600C), UL94 V-0

ACTUATOR:
Aluminum
Acrylonitrile Butadiene Styrene (ABS)
(Polylac PA-765), UL94 V-0

CONTACTS:
Silver Plated Copper

TERMINALS:
Silver Plated Brass

C

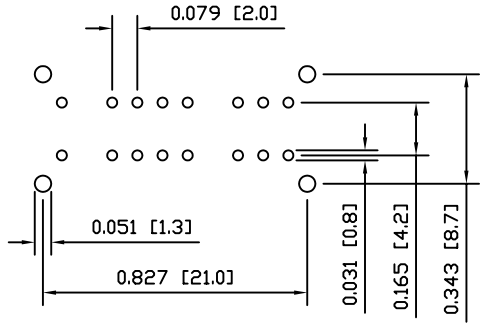
COLORS

BODY:
Metallic

ACTUATOR:
Black

D

SUGGESTED PCB LAYOUT



UNLESS OTHERWISE SPECIFIED, DIMENSIONS ARE IN INCHES [MILLIMETERS] TOLERANCES ARE: DEC .X±0.2 ANG ± 1° .XXX±0.008 DRAWING NOT TO SCALE DRAWN BY: CARL BUCHHEIT		LAMB INDUSTRIES P.O. Box 25110 Portland, OR 97298	LAST REVISION: DEC. 4, 2007
DRAWING NUMBER: 03-LSS-420101A5.dwg		LSS-420101A5	