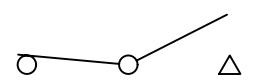


A

SCHEMATIC



SPECIFICATIONS

FUNCTION:
1P2T ON-(ON)

RATINGS:
30A 12VDC
100A Inrush

ELECTRICAL LIFE:
200,000 Cycles

CONTACT RESISTANCE:
30mΩ Max.

INSULATION RESISTANCE:
500MΩ at 500VDC Min.

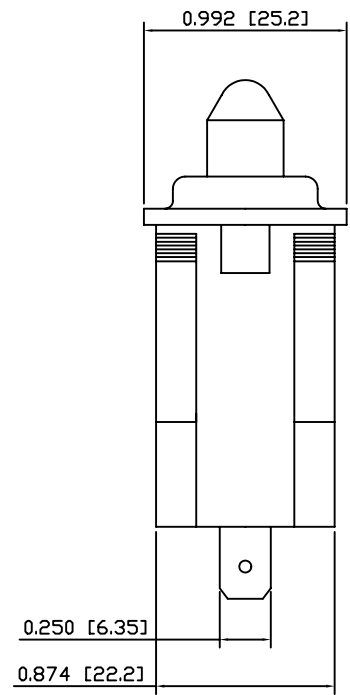
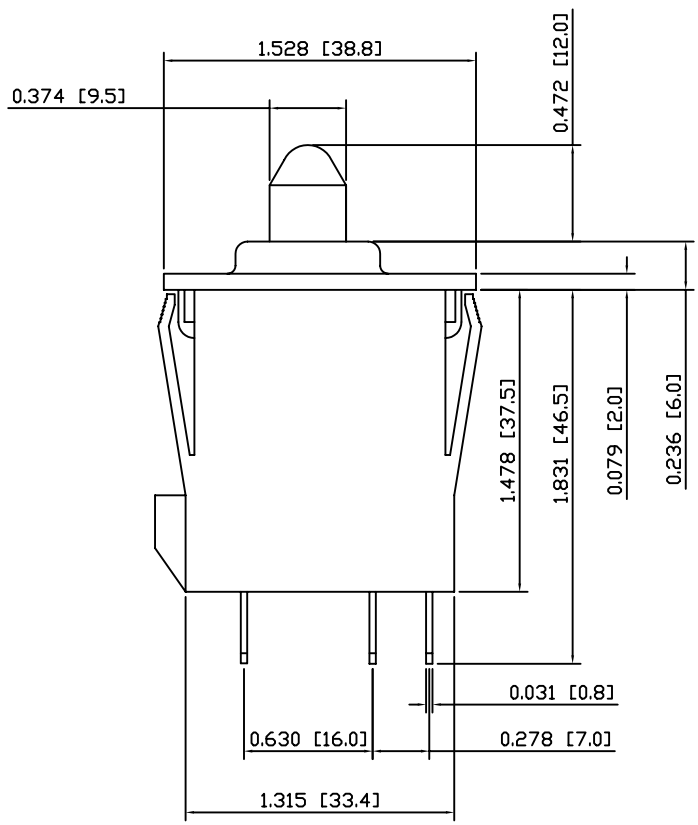
WITHSTAND VOLTAGE:
1000VAC For 1 Minute

TEMPERATURE:
-10°C to 60°C

OPERATION FORCE:
2000±500gf

A

B



B

C

COLORS AND MARKINGS

BODY COLOR:
Black

ACTUATOR COLOR:
Black

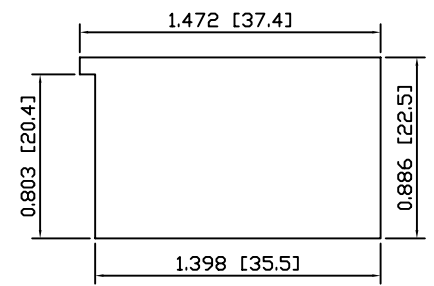
MARKING COLOR:
None

MARKING TYPE:
None

C

D

SUGGESTED PANEL CUTOUT



MATERIALS

BODY:
Polyamide 6/6

ACTUATOR:
Polyamide 6/6

CONTACTS:
Silver Plated Copper

TERMINALS:
Brass Copper

D

LAMB INDUSTRIES P.O. Box 25110
Portland, OR 97298

LAST REVISION:
MAR. 30, 2005

UNLESS OTHERWISE SPECIFIED, DIMENSIONS ARE IN INCHES [MILLIMETERS]	
TOLERANCES ARE:	
DEC .X±0.2	ANG ± 1°
.XXX±0.008	DRAWING NOT TO SCALE

DRAWING NUMBER: 03-PB-12L01

PB-12L01