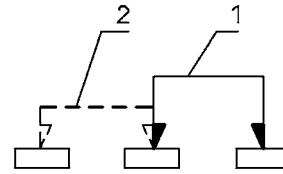
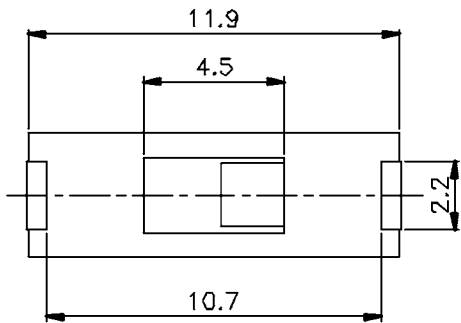


8 7 6 5 4 3 2 1

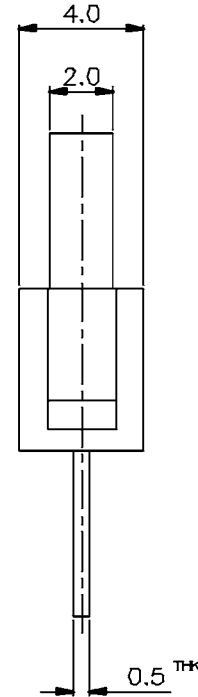
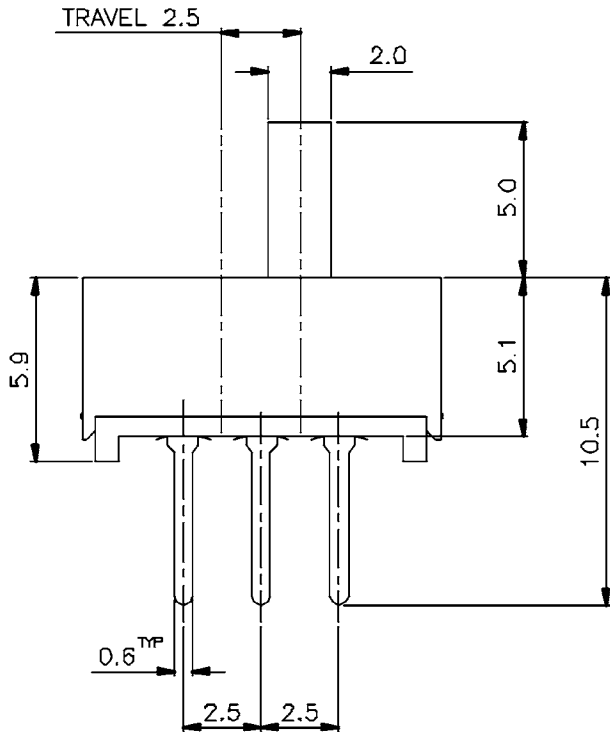
A



SCHMATIC

SPECIFICATIONS	
RATING	DC 50V 0.5A
CONTACT RESISTANCE	MAX. 30mΩ
INSULATION RESISTANCE	500MΩ AT 500V DC
WITHSTAND VOLTAGE	AC 500V for 1 min
OPERATION FORCE:	200±150g
SWITCHING LIFE:	10,000Cycles(6-10c/m loading)

B



C

D

NOTE:
 SOLDER TEMPERATURE
 NOT TO EXCEED 230°C
 5 SEC (MAX)

LAMB INDUSTRIES P.O. Box 25110
 Portland, OR 97298

UNLESS OTHERWISE SPECIFIED,
 DIMENSIONS ARE IN MILLIMETERS
 TOLERANCES ARE:
 DEC .X±0.2 ANG ± 1°
 .XXX±0.008 DRAWING NOT TO SCALE

DRAWING NUMBER: 03-SS-12E01-G(B)5-00
SS-12E01-G(B)5-00

8 7 6 5 4 3 2 1