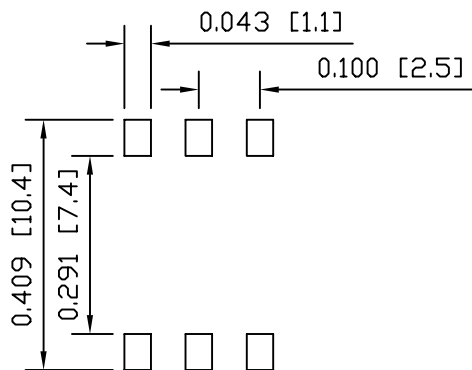


**SUGGESTED PCB LAYOUT**



**MATERIALS**

- BASE:  
Polyphenylene Sulfide (PPS), UL94-0
- ACTUATOR:  
Nylon Thermoplastic, UL94-0
- CONTACTS:  
Gold Over Nickel Plated Copper Alloy
- TERMINALS:  
Gold Plated Brass

**SPECIFICATIONS**

- FUNCTION:  
3 x 1P1T OFF-ON
- RATINGS:  
100mA 50VDC (Steady State)  
25mA 24VDC (Make and Break)
- OPERATING FORCE:  
1000gf Max.
- TRAVEL:  
0.039 [1.0]
- CONTACT RESISTANCE:  
Max. 50mΩ
- INSULATION RESISTANCE:  
100MΩ at 500VDC
- WITHSTAND VOLTAGE:  
500VAC For 1 Minute
- CAPACITANCE:  
5pF
- ELECTRICAL LIFE:  
2,000 Cycles
- SHOCK RESISTANCE:  
Mil-Std. 202F, Method 213B
- VIBRATION RESISTANCE:  
Mil-Std. 202F, Method 201A
- OPERATING TEMPERATURE:  
-20°C~70°C
- STORAGE TEMPERATURE:  
-40°C~85°C
- PACKAGING:  
55 Pieces Per Tube

LAMB INDUSTRIES P.O. Box 25110 Portland, OR 97298  
LAST REVISION: MAR. 5, 2004

UNLESS OTHERWISE SPECIFIED,  
DIMENSIONS ARE IN INCHES [MILLIMETERS]  
TOLERANCES ARE:  
DEC .X±0.2 ANG ± 1°  
.XXX±0.008 DRAWING NOT TO SCALE

DRAWING NUMBER: 06-LDM-03-B.dwg

LDM-03-B