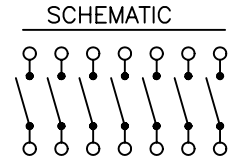
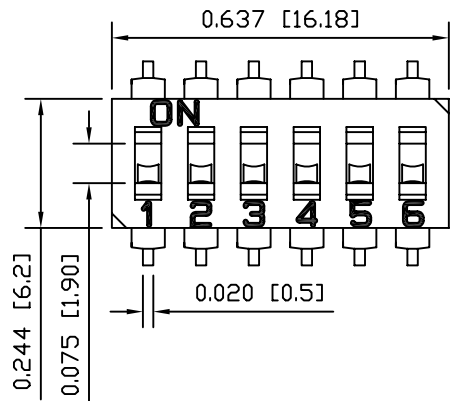


A



SPECIFICATIONS

FUNCTION:
6x1P1T OFF-ON, Tape Sealed

RATINGS:
Switching: 25mA 24VDC
Steady: 100mA 50VDC

ELECTRICAL LIFE:
2,000 Operations Per Switch

CONTACT RESISTANCE:
Max. 50mΩ Initial
Max. 100mΩ After Life Test

INSULATION RESISTANCE:
100MΩ at 500VDC

WITHSTAND VOLTAGE:
500VAC For 1 Minute

CAPACITANCE:
5pF Max.

SHOCK RESISTANCE:
Mil-Std. 202F, Method 213B
Gravity: 50G, 11msec.
Direction: 6 sides
Times: 3 Each Direction
High Reliability

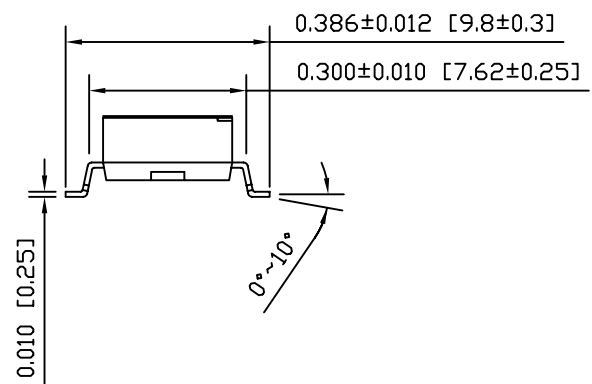
VIBRATION RESISTANCE:
Mil-Std. 202F, Method 201A
Frequency: 10-55-10Hz/1 Minute
Direction: X, Y, Z
Time: 2 Hours Each Direction
High Reliability

OPERATING FORCE:
1000gf

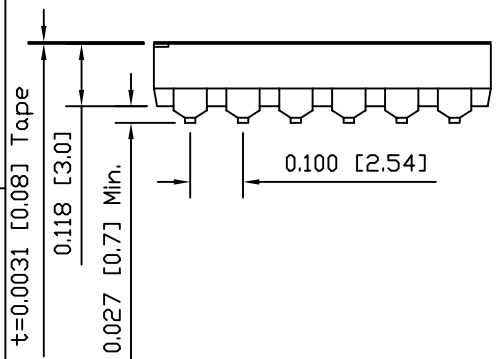
TEMPERATURE:
Operating: -20°C to 85°C
Storage: -40°C to 85°C

PACKAGING:
28 Pieces Per Tube

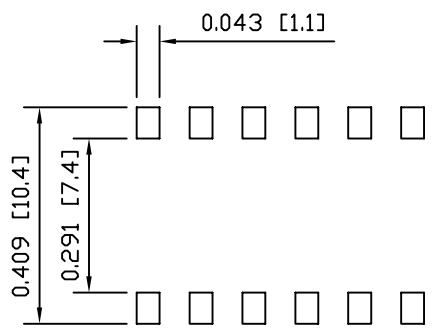
B



C



SUGGESTED PCB LAYOUT



MATERIALS

BASE:
Polyphenylene Sulfide (PPS), UL94V-0

ACTUATOR:
Nylon Thermoplastic, UL94V-0

CONTACTS:
Gold Over Nickel Plated Copper Alloy

TERMINALS:
Gold Plated Brass

D

LAMB INDUSTRIES P.O. Box 25110 Portland, OR 97298
LAST REVISION: APR. 19, 2004

UNLESS OTHERWISE SPECIFIED, DIMENSIONS ARE IN INCHES [MILLIMETERS]	
TOLERANCES ARE:	
DEC .X±0.2	ANG ± 1°
.XXX±0.008	DRAWING NOT TO SCALE

DRAWING NUMBER: 06-LDMR-06-T-B.dwg

LDMR-06-T-B