

**SPECIFICATIONS**

**FUNCTION:**  
Directional: 1P4T OFF-(ON)-(ON)-(ON)-(ON)

**RATINGS:**  
50mA 12VDC

**OPERATING FORCE:**  
Directional: 160gf

**CONTACT RESISTANCE:**  
Initial: 100mΩ Max.

**INSULATION RESISTANCE:**  
100MΩ at 100VDC Min.

**WITHSTAND VOLTAGE:**  
250VAC For 1 Minute

**ELECTRICAL LIFE:**  
100,000 Cycles

**SHOCK RESISTANCE:**  
MIL-STD-202F, METHOD 213B

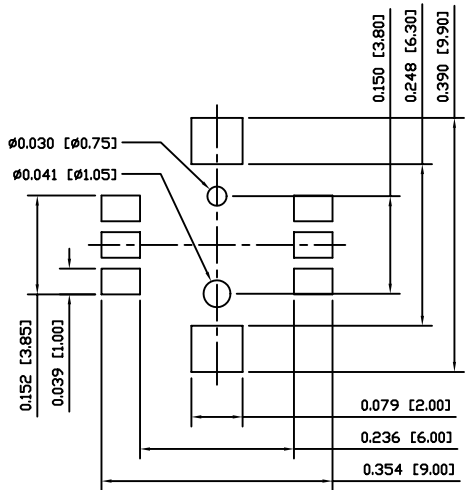
**VIBRATION RESISTANCE:**  
MIL-STD-202F, METHOD 201A

**TEMPERATURE:**  
Operating: -25°C to 70°C  
Storage: -40°C to 85°C

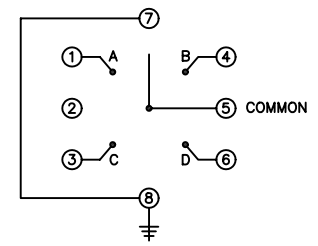
**APPROVALS:**



**SUGGESTED PCB LAYOUT**



**SCHEMATIC**



**MATERIALS**

**BASE:**  
Liquid Crystal Polymer (LCP)

**COVER:**  
Nickel Silver

**DIRECTIONAL STEM:**  
Nylon

**CONTACTS:**  
Silver Plated Stainless Steel

**TERMINALS:**  
Silver Plated Brass



LAST REVISION:  
JAN. 5, 2006

UNLESS OTHERWISE SPECIFIED,  
DIMENSIONS ARE IN INCHES [MILLIMETERS]  
TOLERANCES ARE:  
DEC .X±0.2 ANG ± 1°  
.XXX±0.008 DRAWING NOT TO SCALE

DRAWING NUMBER: 06-TSD4J-4.0K-160.dwg

TSD4J-4.0K-160