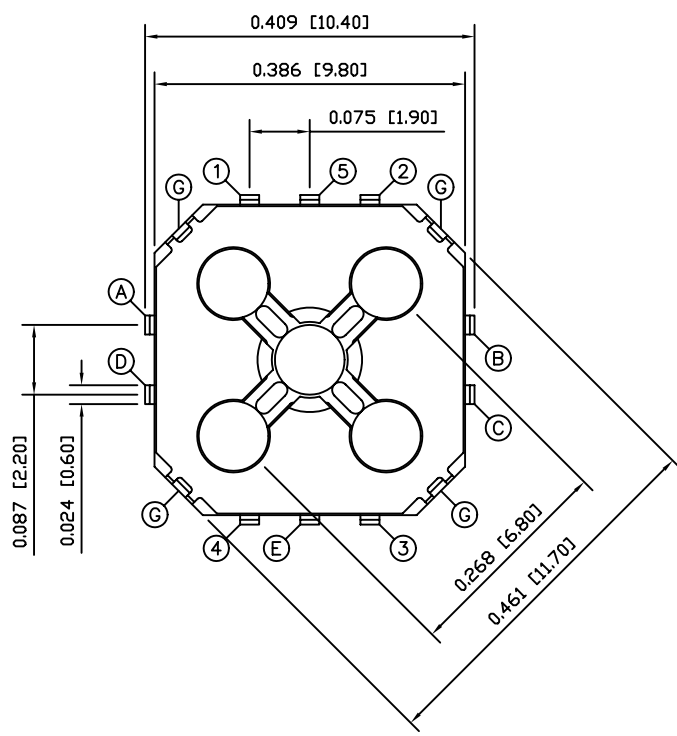
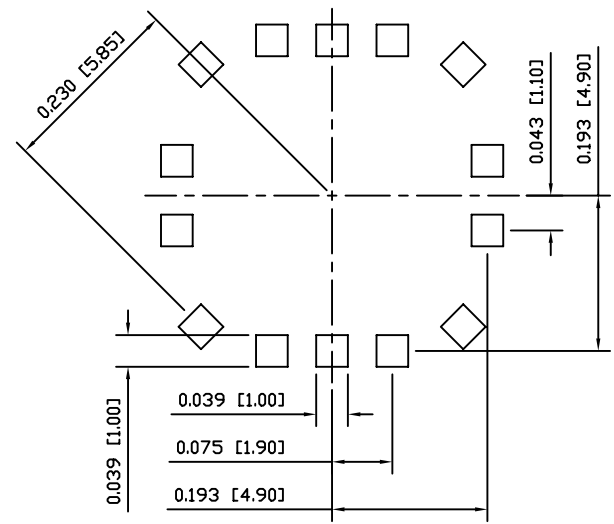


A



SUGGESTED PCB LAYOUT



SPECIFICATIONS

FUNCTION:  
5x1P1T OFF-(ON)

RATINGS:  
50mA 12VDC

OPERATING FORCE:  
Directional: 180±60gf  
Center: 320±80gf

TRAVEL:  
0.010±0.004 [0.25±0.1]

CONTACT RESISTANCE:  
Initial: 100mΩ Max.

INSULATION RESISTANCE:  
100MΩ Min. at 500VDC

WITHSTAND VOLTAGE:  
250VAC For 1 Minute

ELECTRICAL LIFE:  
200,000 Cycles Min.

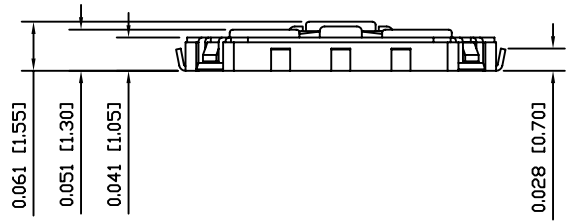
SHOCK RESISTANCE:  
Mil-Std. 202F, Method 213B

VIBRATION RESISTANCE:  
Mil-Std. 202F, Method 201A

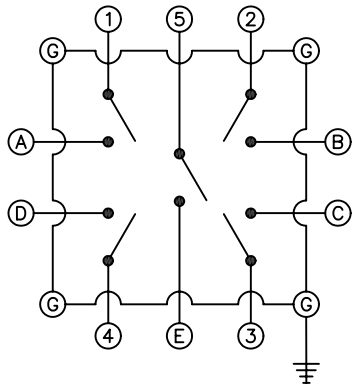
TEMPERATURE:  
Operating: -25°C to 70°C  
Storage: -30°C to 80°C

A

B



SCHEMATIC



APPROVALS:



MATERIALS

BODY:  
High-Temp Nylon, UL94 V-0

COVER:  
Nickel Silver

ACTUATOR:  
High-Temp Nylon, UL94 V-0

CONTACTS:  
Silver Plated Stainless Steel

TERMINALS:  
Silver Plated Brass

TAPE:  
Teflon

B

C

C

D

D

UNLESS OTHERWISE SPECIFIED, DIMENSIONS ARE IN INCHES [MILLIMETERS]	
DEC .X±0.2	ANG ± 1°
.XXX±0.008	DRAWING NOT TO SCALE

P.O. Box 25110 Portland, OR 97298	LAST REVISION: JAN. 5, 2006
	DRAWING NUMBER: 06-TSDT5J-1.55-180.dwg
TSDT5J-1.55-180	