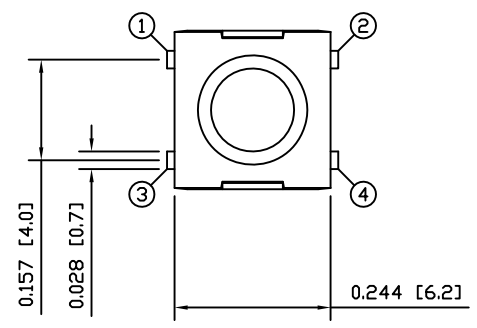
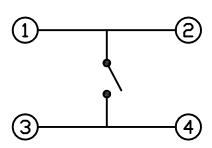


8 7 6 5 4 3 2 1

A



SCHEMATIC



SPECIFICATIONS

FUNCTION:
1P1T OFF-(ON)

RATINGS:
50mA 12VDC

OPERATING FORCE:
160±50gf

TRAVEL:
0.010+0.008/-0.004
[0.25+0.2/-0.1]

CONTACT RESISTANCE:
Initial: 100mΩ Max.

INSULATION RESISTANCE:
100MΩ at 500VDC

DIELECTRIC STRENGTH:
250VAC For 1 Minute

ELECTRICAL LIFE:
100,000 Cycles

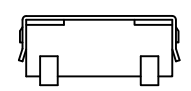
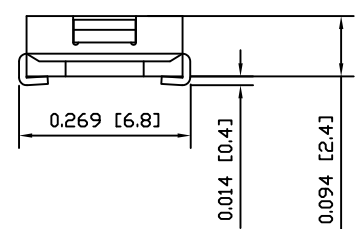
SHOCK RESISTANCE:
Mil-Std. 202F, Method 213B

VIBRATION RESISTANCE:
Mil-Std. 202F, Method 201A

TEMPERATURE:
Operating: -25°C to 70°C
Storage: -30°C to 80°C

A

B



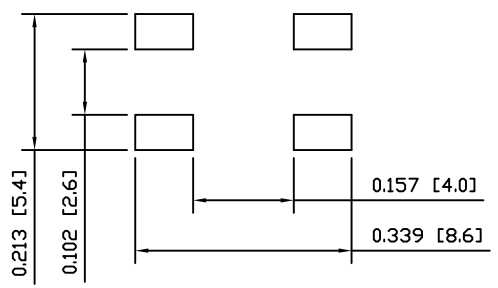
APPROVALS:



B

C

SUGGESTED PCB LAYOUT



PACKAGING

Bulk

MATERIALS

BASE:
Nylon Thermoplastic, UL94 V-0

COVER:
Stainless Steel

ACTUATOR:
Nickel Plated Brass

CONTACTS:
Stainless Steel

TERMINALS:
Silver Plated Brass

C

D

UNLESS OTHERWISE SPECIFIED,
DIMENSIONS ARE IN INCHES [MILLIMETERS]
TOLERANCES ARE:

DEC .X±0.2	ANG ± 1°
.XXX±0.008	DRAWING NOT TO SCALE
DRAWN BY: STACEY CHRISTIANSON	

	P.O. Box 25110 Portland, OR 97298	LAST REVISION: AUG. 11, 2008
	DRAWING NUMBER: 06-TSJW-2.3R-160.dwg	
TSJW-2.3R-160		

D

8 7 6 5 4 3 2 1