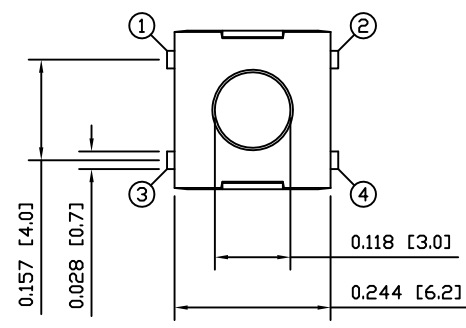
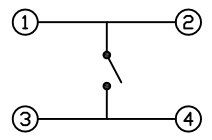


8 7 6 5 4 3 2 1

A



SCHEMATIC

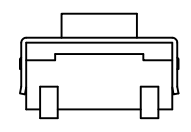
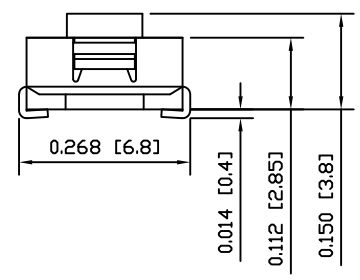


SPECIFICATIONS

- FUNCTION:  
1P1T OFF-(ON)
- RATINGS:  
50mA 12VDC
- OPERATING FORCE:  
180±50gf
- TRAVEL:  
0.018±0.008 [0.45±0.2]
- CONTACT RESISTANCE:  
Initial: 100mΩ Max.
- INSULATION RESISTANCE:  
100MΩ at 500VDC
- DIELECTRIC STRENGTH:  
250VAC For 1 Minute
- ELECTRICAL LIFE:  
500,000 Cycles
- SHOCK RESISTANCE:  
Mil-Std. 202F, Method 213B
- VIBRATION RESISTANCE:  
Mil-Std. 202F, Method 201A
- TEMPERATURE:  
Operating: -25°C to 70°C  
Storage: -30°C to 80°C

A

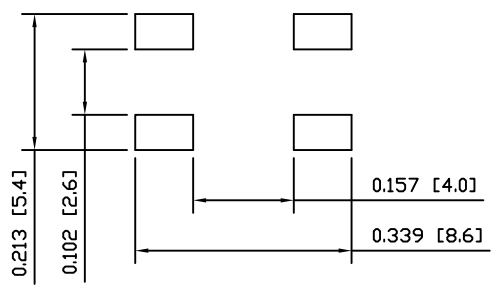
B



B

C

SUGGESTED PCB LAYOUT



PACKAGING

Bulk

C

D

MATERIALS

- BASE:  
Nylon Thermoplastic, UL94 V-0
- COVER:  
Stainless Steel
- ACTUATOR:  
Silicone Rubber
- CONTACTS:  
Stainless Steel
- TERMINALS:  
Silver Plated Brass



D

8 7 6 5 4 3 2 1

UNLESS OTHERWISE SPECIFIED, DIMENSIONS ARE IN INCHES [MILLIMETERS] TOLERANCES ARE:	
DEC .X±0.2	ANG ± 1°
.XXX±0.008	DRAWING NOT TO SCALE
DRAWN BY: STACEY CHRISTIANSON	

 P.O. Box 25110 Portland, OR 97298	LAST REVISION: AUG. 07, 2008
	DRAWING NUMBER: 06-TSJW-3.8-180.dwg
TSJW-3.8-180	