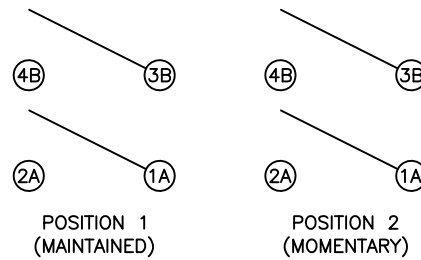


SCHEMATIC



SPECIFICATIONS

FUNCTION:
2P1T OFF-(ON)

RATINGS:
16A 125/250VAC T65 [UR, CSA]
16(4)A 250~ 1E4 T125/55 [ENEC, VDE]

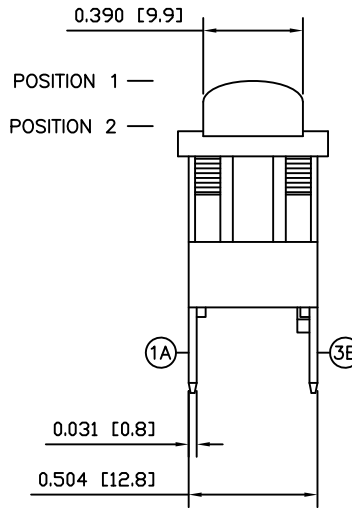
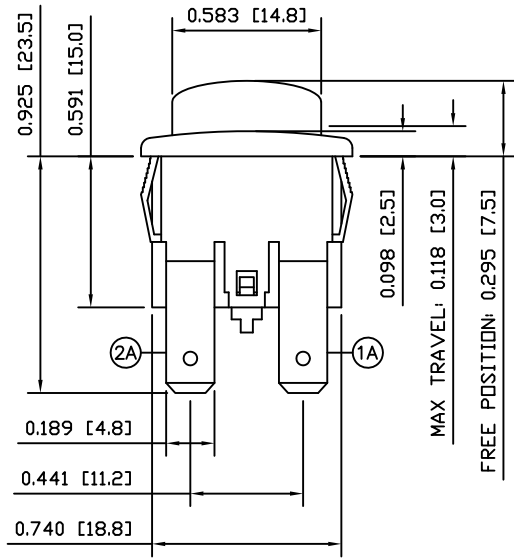
CONTACT RESISTANCE:
Initial: 20mΩ Max. at 1A 5VDC

INSULATION RESISTANCE:
100MΩ Min. at 500VDC

DIELECTRIC STRENGTH:
1,000VAC For 1 Minute

ELECTRICAL LIFE:
6,000 Cycles [UR, CSA]
10,000 Cycles [ENEC, VDE]

TEMPERATURE:
Operating: -20°C to 65°C [UR, CSA]
Operating: -20°C to 125°C [ENEC, VDE]



APPROVALS:



MATERIALS

UPPER BODY:
Polyamide 6/6 (PA66), UL94 V-2

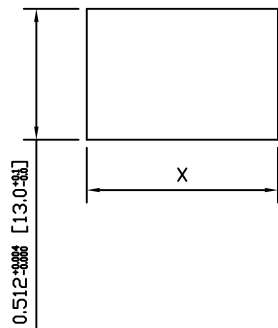
LOWER BODY:
Polybutylene Terephthalate (PBT), UL94 V-2

ACTUATOR:
Polyamide 6/6 (PA66), UL94 V-2

CONTACTS:
Silver Alloy

TERMINALS:
Silver Plated Copper

SUGGESTED PANEL CUTOUT



PANEL THICKNESS	X
0.020~0.050 [0.50~1.20]	0.748 [19.0]
0.050~0.080 [1.20~2.00]	0.760 [19.3]
0.080~0.120 [2.00~3.00]	0.772 [19.6]

COLORS AND MARKINGS

BODY:
Black

ACTUATOR:
Black

MARKINGS:
None

MARKING COLOR:
None

UNLESS OTHERWISE SPECIFIED,
DIMENSIONS ARE IN INCHES [MILLIMETERS]
TOLERANCES ARE:
±0.008 [±0.2] ANG ± 1°
DRAWING NOT TO SCALE
DRAWN BY: STACEY CHRISTIANSON



P.O. Box 25110
Portland, OR 97298

REVISION: A
MAY 19, 2008

DRAWING NUMBER: 14-PA41EC1100.dwg

PA41EC1100