

8

7

6

5

4

3

2

1

A

B

C

D

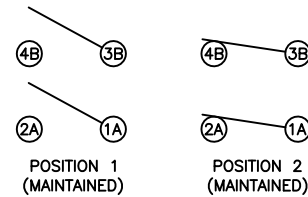
A

B

C

D

SCHMATIC



SPECIFICATIONS

FUNCTION:  
2P1T OFF-ON

RATINGS:  
16A 125/250VAC [UL, CSA]  
16(4)A 250~ 1E4 T125/55 [ENEC, VDE]

CONTACT RESISTANCE:  
Initial: 20mΩ Max.

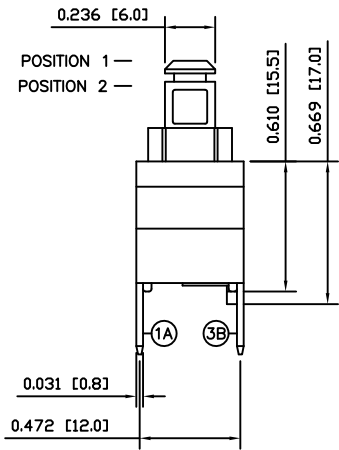
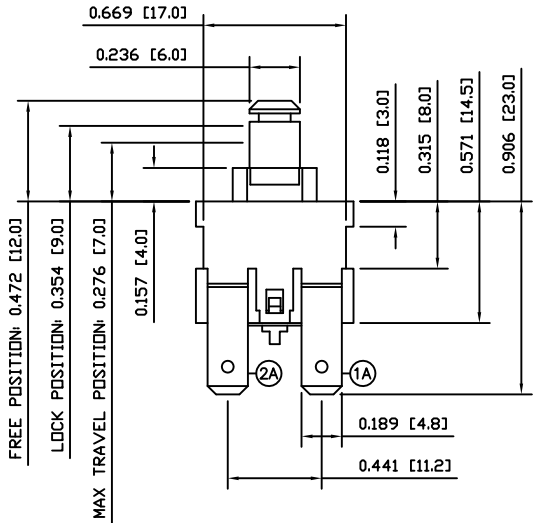
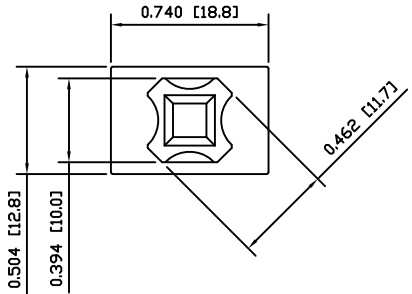
INSULATION RESISTANCE:  
100MΩ Min. at 500VDC

DIELECTRIC STRENGTH:  
1,000VAC For 1 Minute

TEMPERATURE:  
Operating: -20°C to 125°C

OPERATING FORCE:  
500±200gf

APPROVALS:



MATERIALS

ACTUATOR:  
Polybutylene Terephthalate (PBT), UL94 V-2

BODY:  
Polyamide 6/6 (PA66), UL94 V-2

BASE:  
Polybutylene Terephthalate (PBT), UL94 V-2

CONTACTS:  
Silver Alloy

TERMINALS:  
Silver Plated Copper

UNLESS OTHERWISE SPECIFIED,  
DIMENSIONS ARE IN INCHES [MILLIMETERS]  
TOLERANCES ARE:

DEC .X±0.2	ANG ± 1°
.XXX±0.008	DRAWING NOT TO SCALE
DRAWN BY: CARL BUCHHEIT	



P.O. Box 25110  
Portland, OR 97298

LAST REVISION:  
APR. 27, 2007

DRAWING NUMBER: 14-PA512C.dwg

PA512C

8

7

6

5

4

3

2

1