

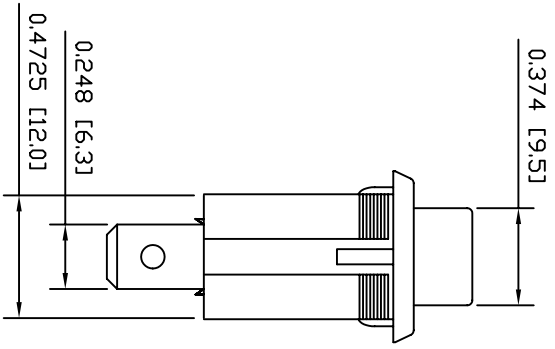
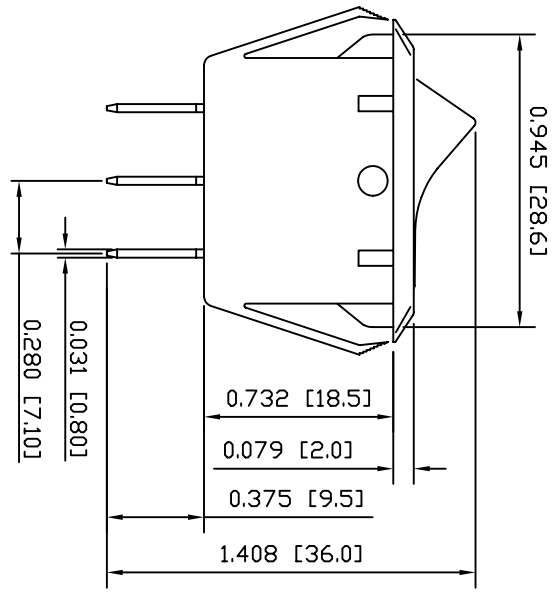
SCHEMATIC

SPECIFICATIONS

FUNCTION:  
1P1T OFF-ON, Illuminated

RATINGS:  
20A 125VAC [UL]  
16A 125/250VAC [UL, CSA]  
3/4HP 250VAC [UL]  
16(4)A 250V~1E4 T125 [VDE]  
10(2)A 250V~5E4 [VDE]

ILLUMINATION VOLTAGE:  
125VAC



ELECTRICAL LIFE:  
10,000 Cycles

CONTACT RESISTANCE:  
20mΩ at 1A 5VDC

INSULATION RESISTANCE:  
100MΩ at 500VDC

WITHSTAND VOLTAGE:  
1000VAC For 1 Minute

APPROVALS:



COLORS AND MARKINGS

Body Color:  
Black

Actuator Color:  
Transparent red

Marking Color:  
None

Marking Type:  
None

MATERIALS

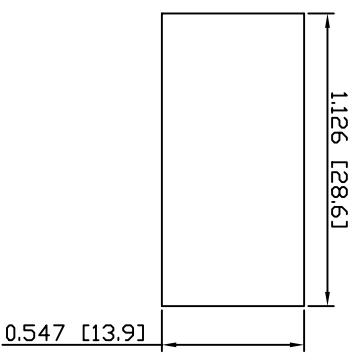
BODY:  
Polyamide 6/6, UL94V-2

ACTUATOR:  
PolyCarbonate UL94V-2

CONTACTS:  
Silver Alloy

TERMINALS:  
Silver Plated Copper

SUGGESTED PANEL CUTOUT



UNLESS OTHERWISE SPECIFIED,  
DIMENSIONS ARE IN INCHES [MILLIMETERS]  
TOLERANCES ARE:  
DEC .X4-0.2 ANG ± 1°  
.XXX4 0.008 DRAWING NOT TO SCALE

	P.O. Box 28110 Portland, OR 97298	LAST REVISION: MAY 6, 2004
	DRAWING NUMBER: 14-RSC141D1000-116	RSC141D1000-116