

8

7

6

5

4

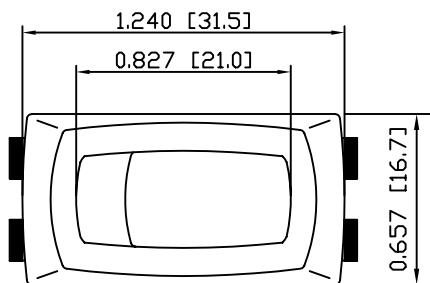
3

2

1

A

A



### SCHEMATIC



### SPECIFICATIONS

FUNCTION:  
1P1T OFF-ON

RATINGS:  
20A 125VAC [UL, cUL]  
16A 250VAC [UL, cUL]  
3/4 HP 250VAC [UL, cUL]  
16(4)A 250V~1E4 T125 [European]  
10(2)A 250V~5E4 T125 [European]

ELECTRICAL LIFE:  
10,000 Cycles

CONTACT RESISTANCE:  
20mΩ at 1A 5VDC

INSULATION RESISTANCE:  
100MΩ at 500VDC

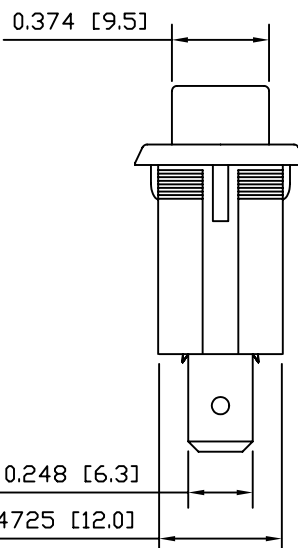
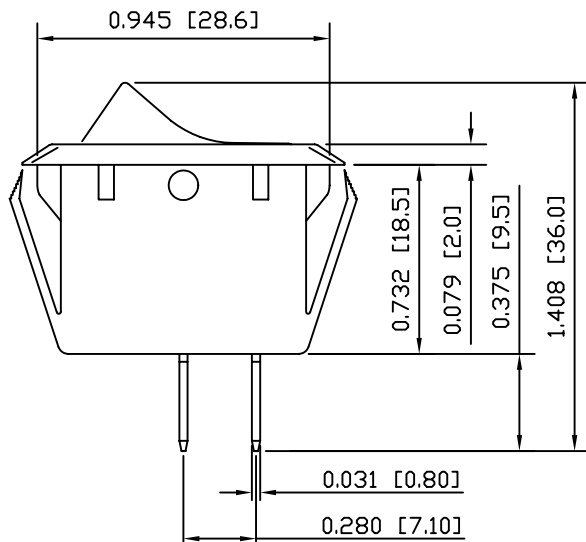
WITHSTAND VOLTAGE:  
1000VAC For 1 Minute

TEMPERATURE:  
-20°C to 125°C

PACKAGING:  
Bulk

B

B



### COLORS AND MARKINGS

Body Color:  
Black

Actuator Color:  
Black

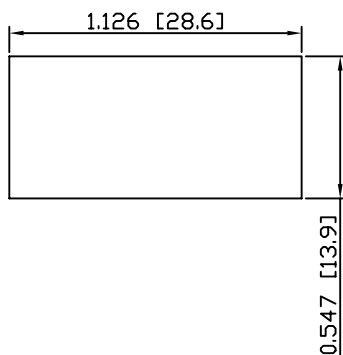
Marking Color:  
None

Marking Type:  
None

C

C

### SUGGESTED PANEL CUTOUT



### MATERIALS

BODY:  
Polyamide 6/6, UL94V-2

ACTUATOR:  
Polyamide 6/6, UL94V-2

CONTACTS:  
Silver-Cadmium Alloy

TERMINALS:  
Silver Plated Copper

D

D



LAST REVISION:  
MAY 6, 2004

UNLESS OTHERWISE SPECIFIED,  
DIMENSIONS ARE IN INCHES [MILLIMETERS]  
TOLERANCES ARE:  
DEC .X±0.2 ANG ± 1°  
.XXX±0.008 DRAWING NOT TO SCALE

DRAWING NUMBER: 14-RSC141D1100

RSC141D1100

8

7

6

5

4

3

2

1