

8

7

6

5

4

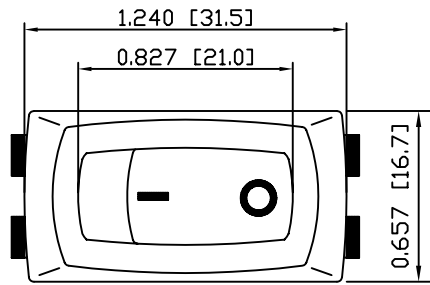
3

2

1

A

A



SCHEMATIC



SPECIFICATIONS

FUNCTION:
1P1T OFF-ON

RATINGS:

20A 125VAC [UL, cUL]
16A 250VAC [UL, cUL]
3/4 HP 250VAC [UL, cUL]
16(4)A 250V~1E4 T125 [European]
10(2)A 250V~5E4 T125 [European]

ELECTRICAL LIFE:
10,000 Cycles

CONTACT RESISTANCE:
20mΩ at 1A 5VDC

INSULATION RESISTANCE:
100MΩ at 500VDC

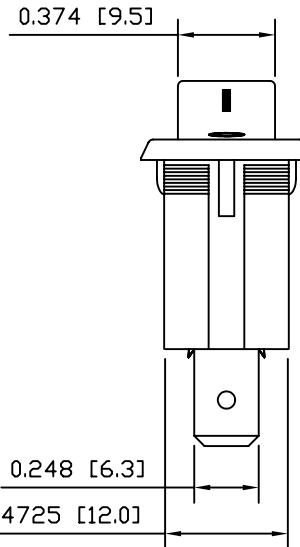
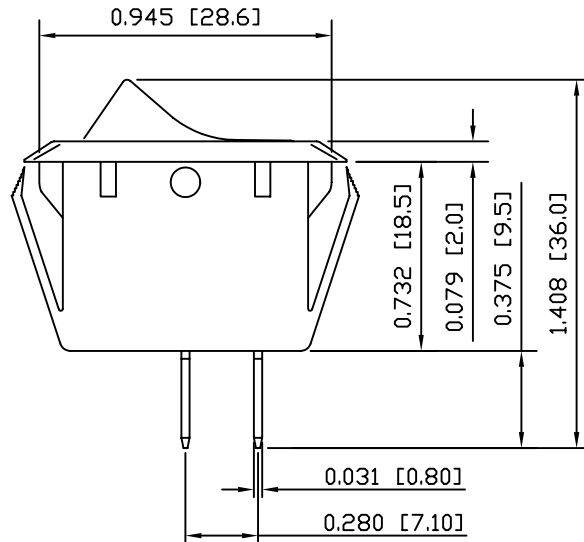
WITHSTAND VOLTAGE:
1000VAC For 1 Minute

TEMPERATURE:
-20°C to 125°C

PACKAGING:
Bulk

B

B



COLORS AND MARKINGS

Body Color:
Black

Actuator Color:
Black

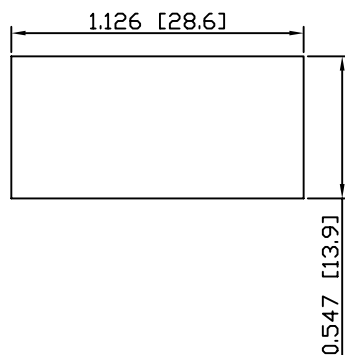
Marking Color:
White

Marking Type:
I/O Vertical

C

C

SUGGESTED PANEL CUTOUT



MATERIALS

BODY:

Polyamide 6/6, UL94V-2

ACTUATOR:

Polyamide 6/6, UL94V-2

CONTACTS:

Silver-Cadmium Alloy

TERMINALS:

Silver Plated Copper

D

D

LAMB
INDUSTRIES P.O. Box 25110
Portland, OR 97298

LAST REVISION:
MAY 6, 2004

UNLESS OTHERWISE SPECIFIED,
DIMENSIONS ARE IN INCHES [MILLIMETERS]
TOLERANCES ARE:
DEC .X±0.2 ANG ± 1°
.XXX±0.008 DRAWING NOT TO SCALE

DRAWING NUMBER: 14-RSC141D1121

RSC141D1121

8

7

6

5

4

3

2

1