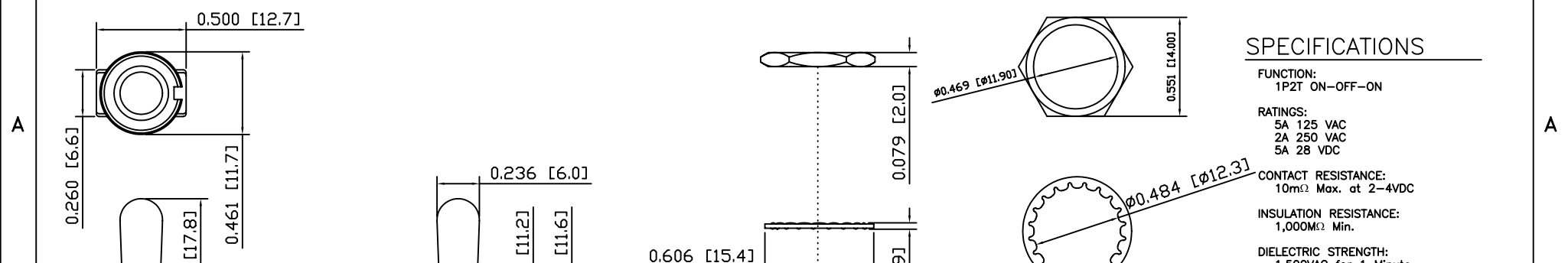


8 7 6 5 4 3 2 1



SPECIFICATIONS

FUNCTION:
1P2T ON-OFF-ON

RATINGS:
5A 125 VAC
2A 250 VAC
5A 28 VDC

CONTACT RESISTANCE:
10mΩ Max. at 2-4VDC

INSULATION RESISTANCE:
1,000MΩ Min.

DIELECTRIC STRENGTH:
1,500VAC for 1 Minute

ELECTRICAL LIFE:
50,000 Cycles at Full Load

OPERATING TEMPERATURE:
-30°C to 85°C



MATERIALS

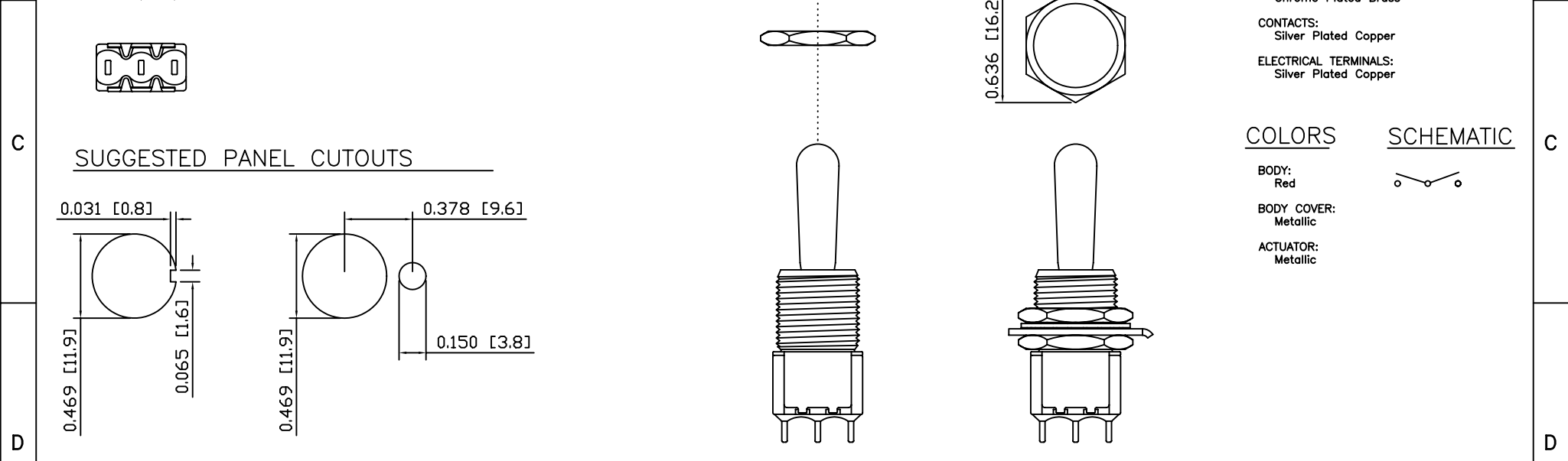
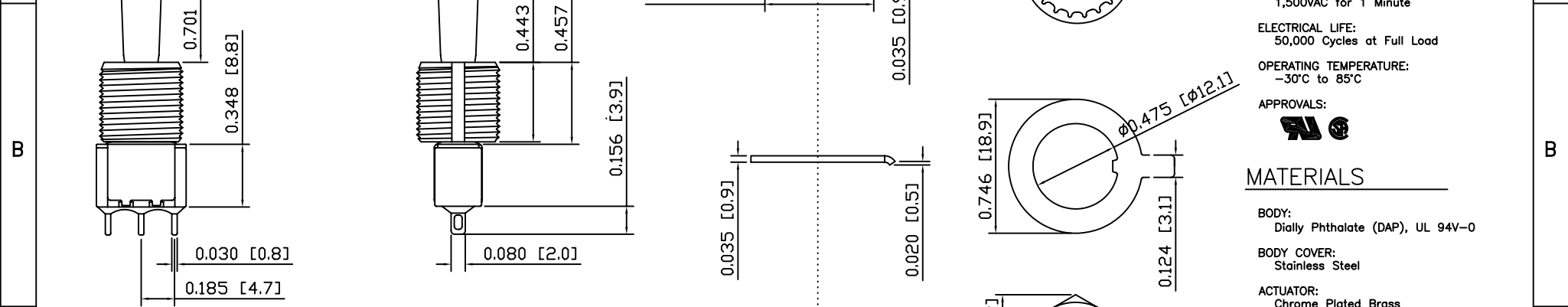
BODY:
Dially Phthalate (DAP), UL 94V-0

BODY COVER:
Stainless Steel

ACTUATOR:
Chrome Plated Brass

CONTACTS:
Silver Plated Copper

ELECTRICAL TERMINALS:
Silver Plated Copper



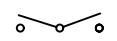
COLORS

BODY:
Red

BODY COVER:
Metallic

ACTUATOR:
Metallic

SCHEMATIC



LAMB INDUSTRIES P.O. Box 25110 Portland, OR 97298
LAST REVISION: JULY 20, 2004

UNLESS OTHERWISE SPECIFIED, DIMENSIONS ARE IN INCHES [MILLIMETERS] TOLERANCES ARE:
 DEC .X±0.2 ANG ± 1°
 .XXX±0.008 DRAWING NOT TO SCALE

DRAWING NUMBER: 17-5103-TZQE

5103-TZQE

8 7 6 5 4 3 2 1