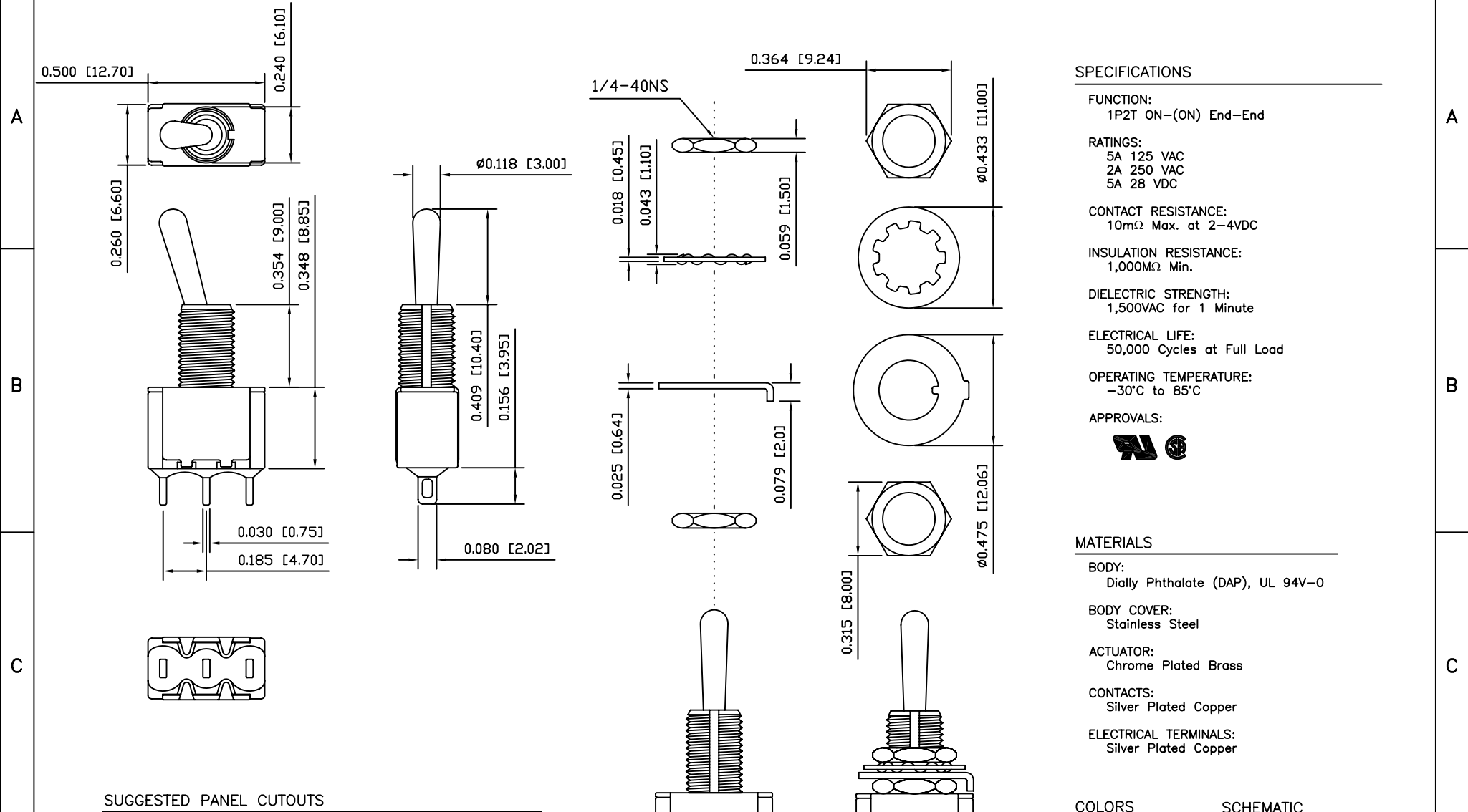


8 7 6 5 4 3 2 1



**SPECIFICATIONS**

**FUNCTION:**  
1P2T ON-(ON) End-End

**RATINGS:**  
5A 125 VAC  
2A 250 VAC  
5A 28 VDC

**CONTACT RESISTANCE:**  
10mΩ Max. at 2-4VDC

**INSULATION RESISTANCE:**  
1,000MΩ Min.

**DIELECTRIC STRENGTH:**  
1,500VAC for 1 Minute

**ELECTRICAL LIFE:**  
50,000 Cycles at Full Load

**OPERATING TEMPERATURE:**  
-30°C to 85°C

**APPROVALS:**



**MATERIALS**

**BODY:**  
Dially Phthalate (DAP), UL 94V-0

**BODY COVER:**  
Stainless Steel

**ACTUATOR:**  
Chrome Plated Brass

**CONTACTS:**  
Silver Plated Copper

**ELECTRICAL TERMINALS:**  
Silver Plated Copper

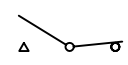
**COLORS**

**BODY:**  
Red

**BODY COVER:**  
Metallic

**ACTUATOR:**  
Metallic

**SCHEMATIC**



UNLESS OTHERWISE SPECIFIED,  
DIMENSIONS ARE IN INCHES [MILLIMETERS]  
TOLERANCES ARE:  
DEC .X±0.2 ANG ± 1°  
.XXX±0.008 DRAWING NOT TO SCALE

**LAMB INDUSTRIES** P.O. Box 25110  
Portland, OR 97298

LAST REVISION:  
JULY 06, 2003

DRAWING NUMBER: 17-5108-SYZQE.dwg

**5108-SYZQE**

8 7 6 5 4 3 2 1