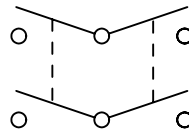


SCHEMATIC



SPECIFICATIONS

FUNCTION:
2P2T ON-OFF-ON

RATINGS:
5A 125 VAC
2A 250 VAC
5A 28 VDC

CONTACT RESISTANCE:
10mΩ Max. at 2-4VDC

INSULATION RESISTANCE:
1,000MΩ Min.

DIELECTRIC STRENGTH:
1,500VAC for 1 Minute

ELECTRICAL LIFE:
50,000 Cycles at Full Load

OPERATING TEMPERATURE:
-30°C to 85°C

APPROVALS:



MATERIALS

BODY:
Dially Phthalate (DAP), UL 94V-0

BODY COVER:
Stainless Steel

ACTUATOR:
Polyamide 6/6, UL94V-0

CONTACTS:
Silver Plated Copper

ELECTRICAL TERMINALS:
Silver Plated Copper

COLORS

BODY:
Red

BODY COVER:
Metallic

ACTUATOR:
Black

A

A

B

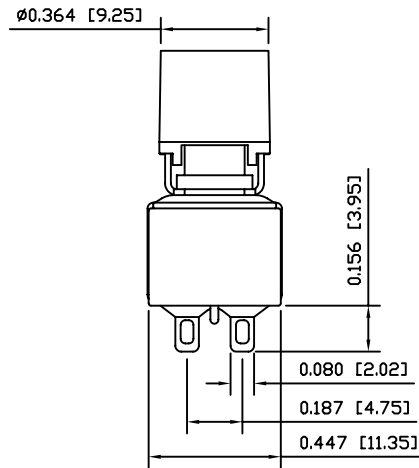
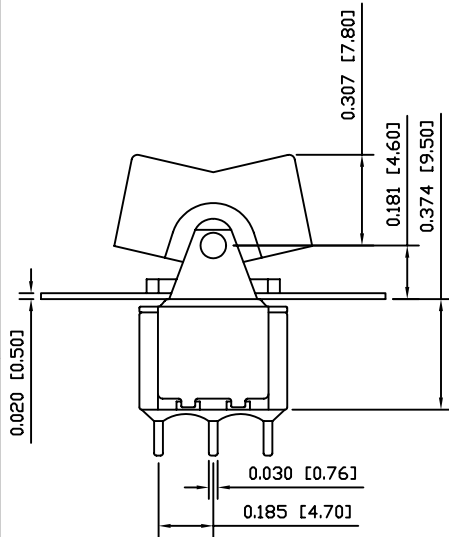
B

C

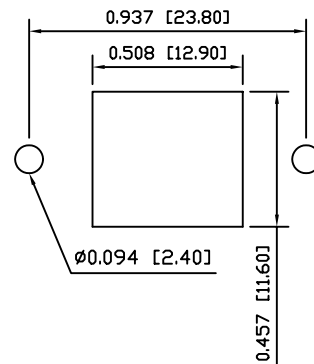
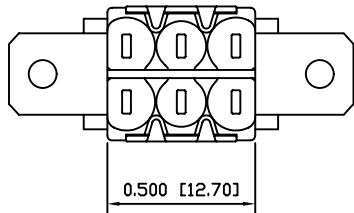
C

D

D



SUGGESTED PANEL CUTOUT



UNLESS OTHERWISE SPECIFIED, DIMENSIONS ARE IN INCHES [MILLIMETERS]	
DEC .X±0.2	ANG ± 1°
.XXX±0.008	DRAWING NOT TO SCALE

LAMB INDUSTRIES P.O. Box 25110
Portland, OR 97298

LAST REVISION:
SEP. 02, 2004

DRAWING NUMBER: 17-5203-J1ZQE2.dwg

5203-J1ZQE2

8

7

6

5

4

3

2

1

8

7

6

5

4

3

2

1