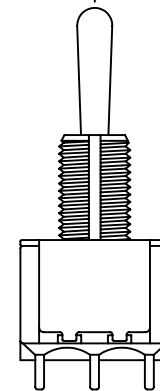
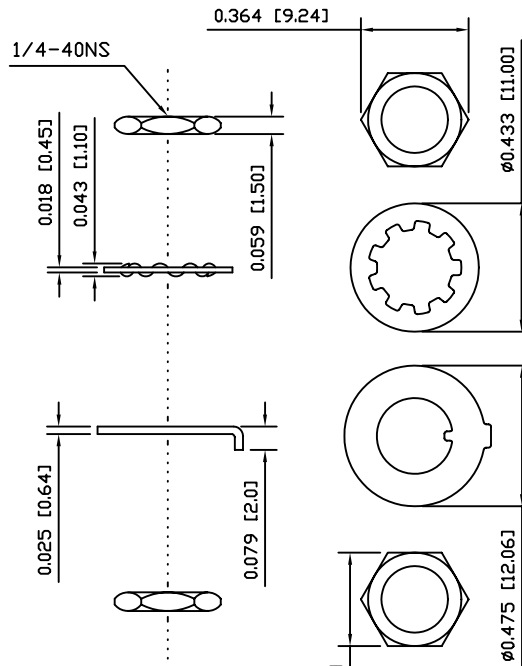
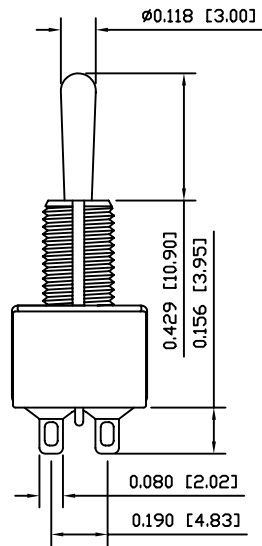
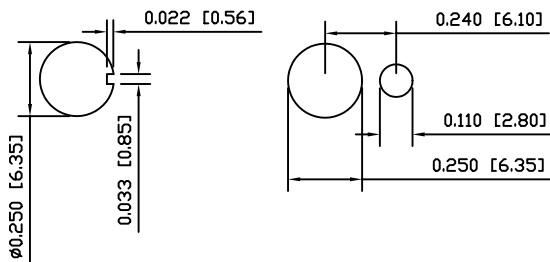
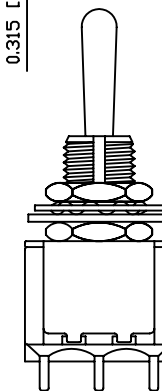


SUGGESTED PANEL CUTOUTS



EXPLODED VIEW



ASSEMBLED VIEW

SPECIFICATIONS

FUNCTION:
2P2T ON-OFF-ON

RATINGS:
5A 125 VAC
2A 250 VAC
5A 28 VDC

CONTACT RESISTANCE:
10mΩ Max. at 2-4VDC

INSULATION RESISTANCE:
1,000MΩ Min.

DIELECTRIC STRENGTH:
1,500VAC for 1 Minute

ELECTRICAL LIFE:
50,000 Cycles at Full Load

OPERATING TEMPERATURE:
-30°C to 85°C

APPROVALS:



MATERIALS

BODY:
Dially Phthalate (DAP), UL 94V-0

BODY COVER:
Stainless Steel

ACTUATOR:
Chrome Plated Brass

CONTACTS:
Silver Plated Copper

ELECTRICAL TERMINALS:
Silver Plated Copper

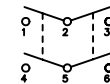
COLORS

BODY:
Red

BODY COVER:
Metallic

ACTUATOR:
Metallic

SCHEMATIC



LAMB INDUSTRIES P.O. Box 25110 Portland, OR 97298

LAST REVISION:
AUG. 02, 2004

UNLESS OTHERWISE SPECIFIED,
DIMENSIONS ARE IN INCHES [MILLIMETERS]
TOLERANCES ARE:
DEC .X±0.2 ANG ± 1°
.XXX±0.008 DRAWING NOT TO SCALE

DRAWING NUMBER: 17-5203-SYZQE.dwg

5203-SYZQE