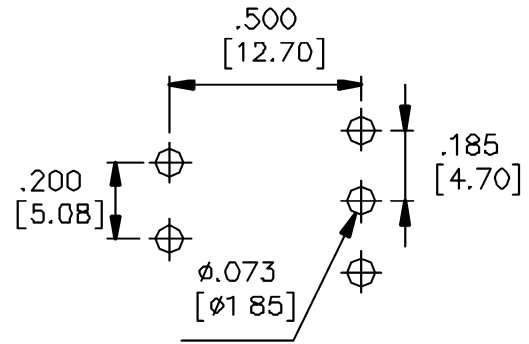
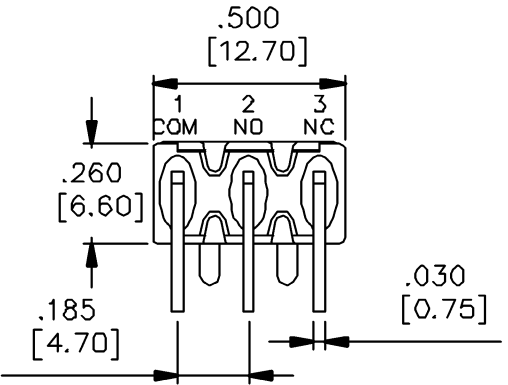
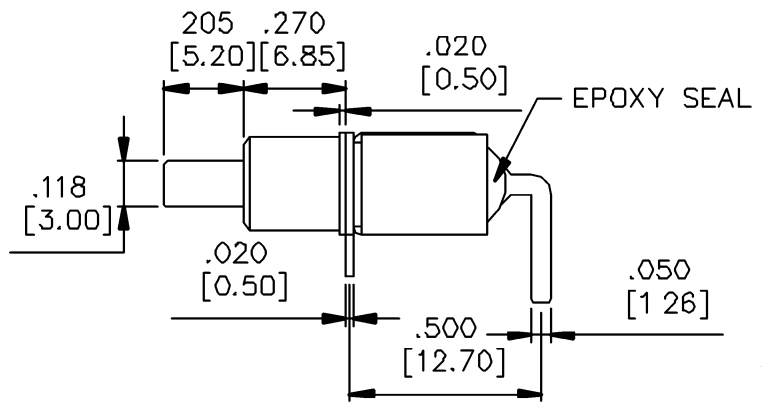
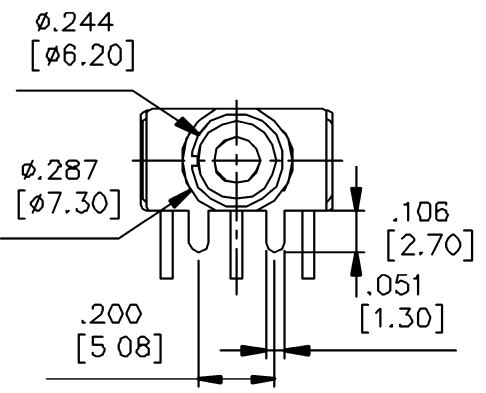


8 7 6 5 4 3 2 1

REVISIONS				
ZONE	REV	DESCRIPTION	DATE	APPROVED



PC MOUNTING

ITEM	QTY.	DESCRIPTION	SUPPLIER
PARTS LIST			

FUNCTION: SPDT ON-(ON)  
CONTACT MATERIAL

MOVABLE CONTACT Copper alloy, silver plated.  
TERMINALS Silver plated with outer layer in gold plating  
Rating: 1 Amps with resistive load @ 120 VAC or 28 VDC.

DIMENSIONS ARE IN INCHES UNLESS OTHERWISE SPECIFIED. TOLERANCES ARE:		SIGNATURES		DATE	 <b>8121-SD9AGE</b>
DEC.XX ± 0.01	FRAC ±	DWN			
.XXX ± 0.005	ANG ± 1'	CHK			SIZE A DWG NO. 17-8121-SD9AGE SCALE SHEET OF
REMOVE BURRS. BREAK SHARP EDGES.	ENG	APPD			
MATERIAL					REV

8 7 6 5 4 3 2 1