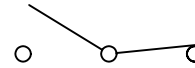


SCHEMATIC



SPECIFICATIONS

FUNCTION:  
2P2T ON-ON

RATINGS:  
6A 125VAC  
3A 250VAC  
6A 28VDC

CONTACT RESISTANCE:  
10mΩ Max. at 2-4VDC

INSULATION RESISTANCE:  
1,000MΩ Min.

DIELECTRIC STRENGTH:  
1,500VAC for 1 Minute

ELECTRICAL LIFE:  
50,000 Cycles at Full Load

OPERATING TEMPERATURE:  
-30°C to 85°C

APPROVALS:



COLORS

BODY:  
Red

BODY COVER:  
Metallic

ACTUATOR:  
Black

BEZEL:  
Black

MATERIALS

BODY:  
Diallyl Phthalate (DAP), UL 94V-0

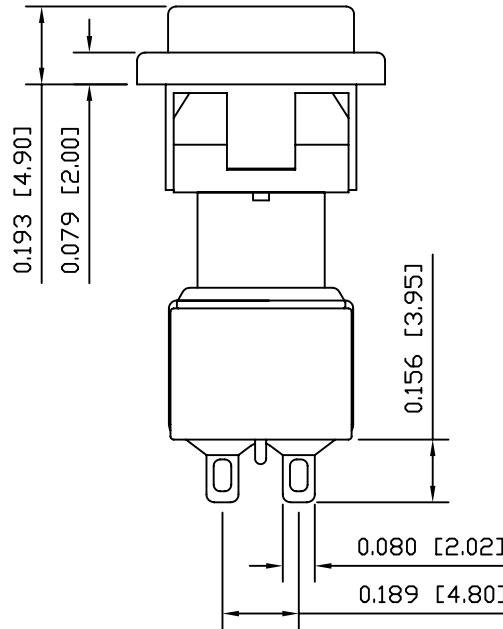
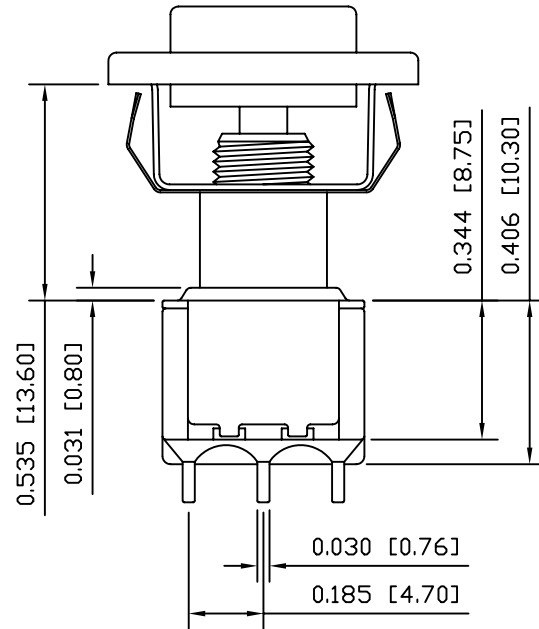
BODY COVER:  
Stainless Steel

ACTUATOR:  
Glass Filled Nylon

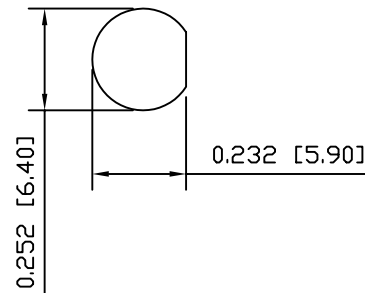
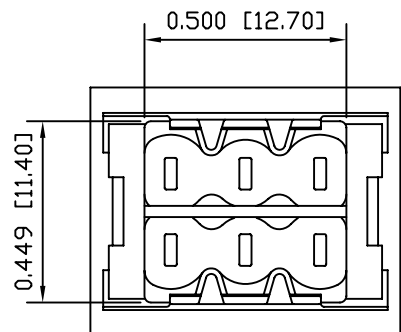
BUSHING:  
Nickel Plated Zinc

CONTACTS:  
Silver Plated Copper Alloy

ELECTRICAL TERMINALS:  
Silver Plated Copper Alloy



SUGGESTED PANEL CUTOUT



|  |                      |
|--|----------------------|
| UNLESS OTHERWISE SPECIFIED,<br>DIMENSIONS ARE IN INCHES [MILLIMETERS]<br>TOLERANCES ARE: |                      |
| DEC .X±0.2   | ANG ± 1°             |
| .XXX±0.008   | DRAWING NOT TO SCALE |

**LAMB**  
INDUSTRIES P.O. Box 25110  
Portland, OR 97298

LAST REVISION:  
MAR. 10, 2006

DRAWING NUMBER: 17-8261-J81ZQE22.dwg

8261-J81ZQE22