

COLORS

BODY:
White

ACTUATOR:
White

SPECIFICATIONS

FUNCTION:
1P1T OFF-(ON)

RATINGS:
0.4VA Max. at 20V AC or DC Max.

CONTACT RESISTANCE:
Initial: 20mΩ Max. at 100mA 4VDC

INSULATION RESISTANCE:
1,000MΩ Min.

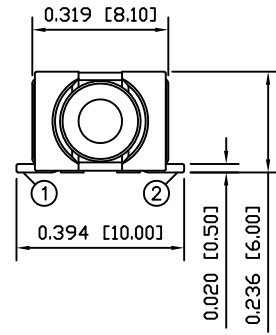
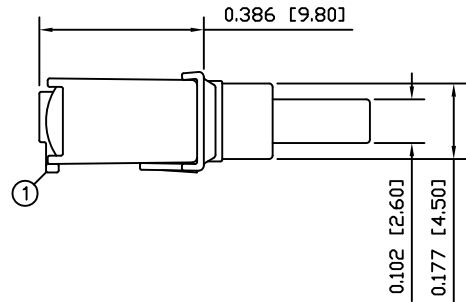
DIELECTRIC STRENGTH:
1,500VAC for 1 Minute

ELECTRICAL LIFE:
30,000 Cycles at Full Load

TEMPERATURE:
Operating: -30°C to 85°C

INGRESS PROTECTION:
IP67

APPROVALS:



MATERIALS

BODY:
Glass Filled Nylon 4/6, UL94 V-0

ACTUATOR:
Carbon Fiber Filled Polyamide 4/6, UL94 V-0

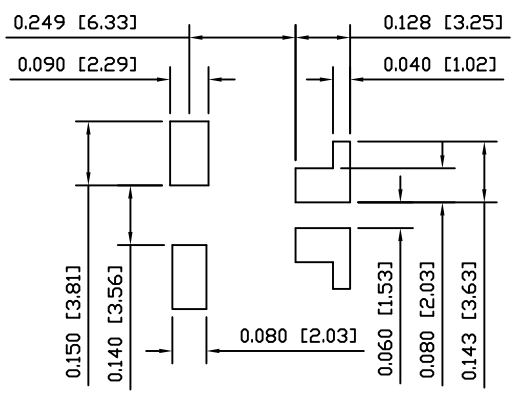
SUPPORT:
Tin Plated Brass

CONTACTS:
Gold Over Nickel Plated Copper

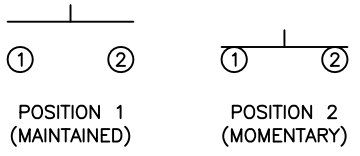
TERMINALS:
Tin Coated Gold Over Nickel Plated Copper

TERMINAL SEAL:
Epoxy

SUGGESTED PCB LAYOUT



SCHEMATIC



UNLESS OTHERWISE SPECIFIED,
DIMENSIONS ARE IN INCHES [MILLIMETERS]
TOLERANCES ARE:
DEC .X±0.2 ANG ± 1°
.XXX±0.008 DRAWING NOT TO SCALE
DRAWN BY: STACEY CHRISTIANSON



LAST REVISION:
MAY 08, 2008

DRAWING NUMBER: 17-LPS11-SD1SAKE.dwg

LPS11-SD1SAKE