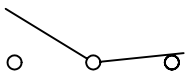


SCHEMATIC



SPECIFICATIONS

FUNCTION:
1P2T ON-ON

RATINGS:
0.4VA Maximum at 20V AC or DC Maximum

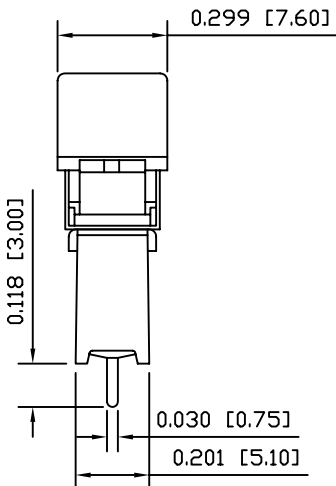
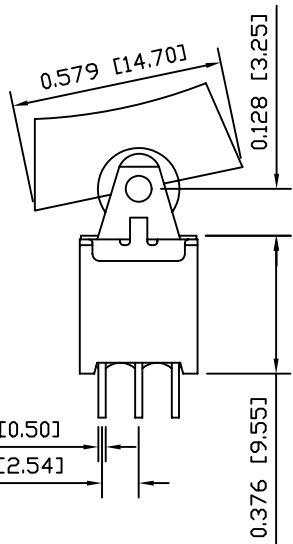
CONTACT RESISTANCE:
20mΩ Max. at 100mA 4VDC

INSULATION RESISTANCE:
1,000MΩ Min.

DIELECTRIC STRENGTH:
1,500VAC for 1 Minute

ELECTRICAL LIFE:
50,000 Cycles at Full Load

OPERATING TEMPERATURE:
-30°C to 85°C



MATERIALS

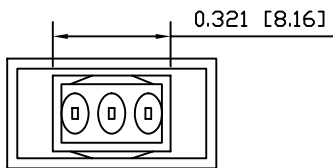
BODY:
Glass Filled Polyamide 6/6, UL 94V-0

ACTUATOR:
Polyamide 6/6, UL 94V-0

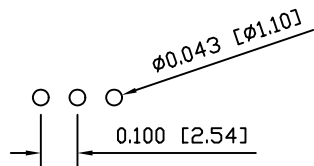
PIVOT: Chrome
Plated Brass

CONTACTS:
Gold Over Nickel Plated Copper

TERMINALS:
Gold Over Nickel Plated Copper



SUGGESTED PCB LAYOUT



COLORS

BODY:
Red

ACTUATOR:
Black

LAMB INDUSTRIES P.O. Box 25110 Portland, OR 97298

LAST REVISION: MAR. 14, 2005

UNLESS OTHERWISE SPECIFIED, DIMENSIONS ARE IN INCHES [MILLIMETERS] TOLERANCES ARE:
DEC .X±0.2 ANG ± 1°
.XXX±0.008 DRAWING NOT TO SCALE

DRAWING NUMBER: 17-LT01-J1CBE2

LT01-J1CBE2