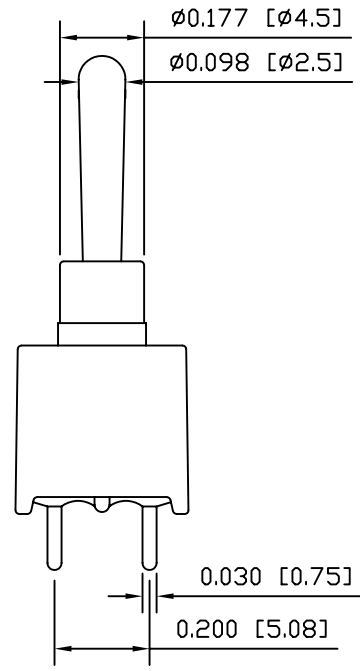
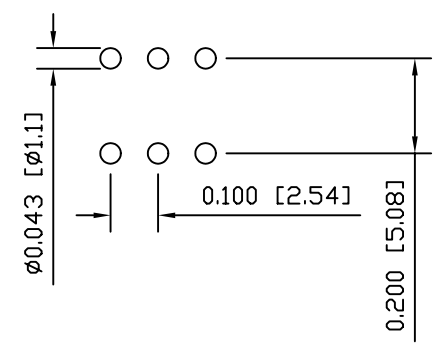


SUGGESTED PCB LAYOUT



SPECIFICATIONS

FUNCTION:
2P2T ON-OFF-ON

RATINGS:
3A 125VAC
1.5A 250VAC
3A 28VDC

CONTACT RESISTANCE:
20mΩ Max. at 2-4VDC

INSULATION RESISTANCE:
1,000MΩ Min.

DIELECTRIC STRENGTH:
1,500VAC at Sea Level

ELECTRICAL LIFE:
30,000 Cycles at Full Load

OPERATING TEMPERATURE:
-30°C to 85°C

APPROVALS:



MATERIALS

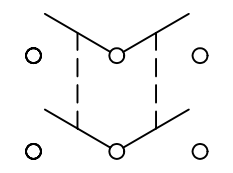
BODY:
Glass Filled Nylon, UL 94V-0

ACTUATOR:
Chrome Plated Brass

CONTACTS:
Gold Over Silver Plated Copper

ELECTRICAL TERMINALS:
Gold Over Silver Plated Copper

SCHEMATIC



COLORS

BODY:
Red

ACTUATOR:
Chrome

	P.O. Box 25110 Portland, OR 97298	LAST REVISION: FEB. 17, 2004
	DRAWING NUMBER: 17-LT23-SD1CGE.dwg	
<h1>LT23-SD1CGE</h1>		

UNLESS OTHERWISE SPECIFIED, DIMENSIONS ARE IN INCHES [MILLIMETERS]	
TOLERANCES ARE:	
DEC .X±0.2	ANG ± 1°
.XXX±0.008	DRAWING NOT TO SCALE