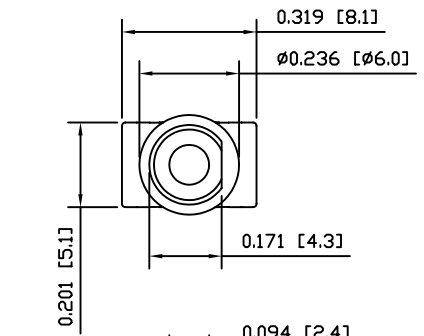
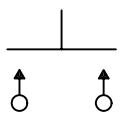


A



SCHEMATIC



SPECIFICATIONS

FUNCTION:  
1P1T OFF-(ON)

RATINGS:  
0.4VA at 20V AC or DC Max.

CONTACT RESISTANCE:  
20mΩ Max. at 2-4VDC

INSULATION RESISTANCE:  
1,000MΩ Min.

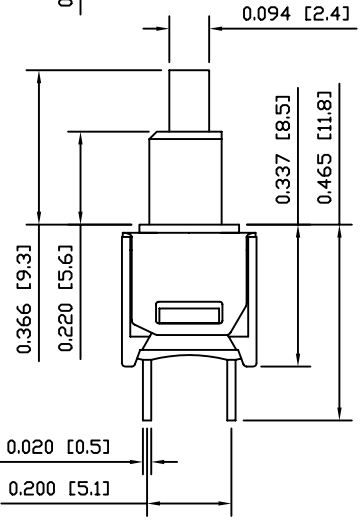
DIELECTRIC STRENGTH:  
1,500VAC at Sea Level

ELECTRICAL LIFE:  
30,000 Cycles at Full Load

OPERATING TEMPERATURE:  
-30°C to 85°C

A

B



COLORS

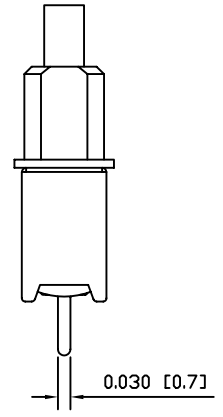
BODY:  
Red

ACTUATOR:  
Black

APPROVALS:



B



MATERIALS

BODY:  
Diallyl Phthalate (DAP), UL 94V-0

ACTUATOR:  
Polybutylene Terephthalate (PBT), UL 94V-0

BUSHING:  
Zinc

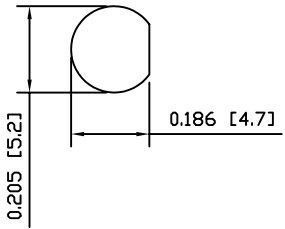
HOUSING:  
Stainless Steel

CONTACTS:  
Gold Plating Over Nickel Plated Copper Alloy

COMMON TERMINAL:  
Gold Plating Over Nickel Plated Copper Alloy

C

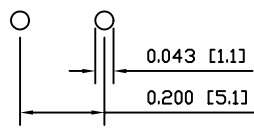
SUGGESTED PANEL CUTOUT



C

D

SUGGESTED PCB LAYOUT



D

LAMB INDUSTRIES P.O. Box 25110 Portland, OR 97298

LAST REVISION: JAN. 16, 2006

UNLESS OTHERWISE SPECIFIED, DIMENSIONS ARE IN INCHES [MILLIMETERS] TOLERANCES ARE:  
DEC .X±0.2 ANG ± 1°  
.XXX±0.008 DRAWING NOT TO SCALE

DRAWING NUMBER: 17-TP11-SH9CBE.dwg

TP11-SH9CBE