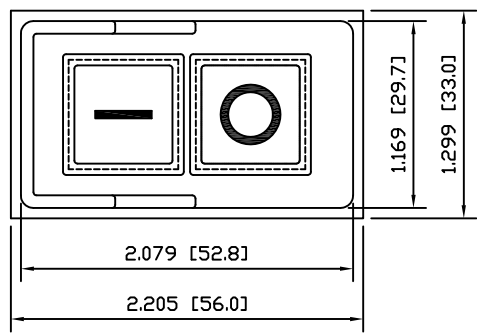
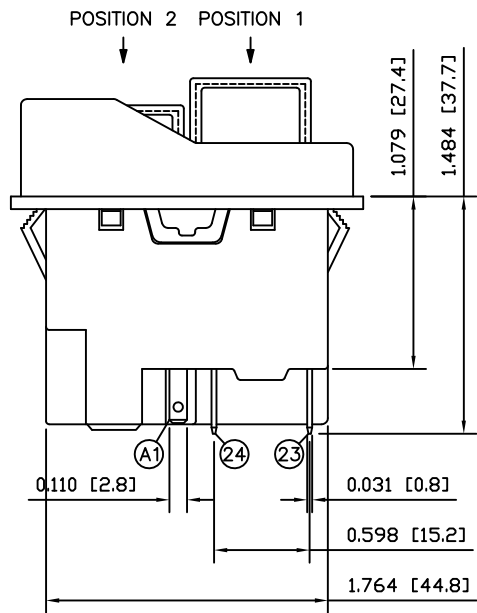


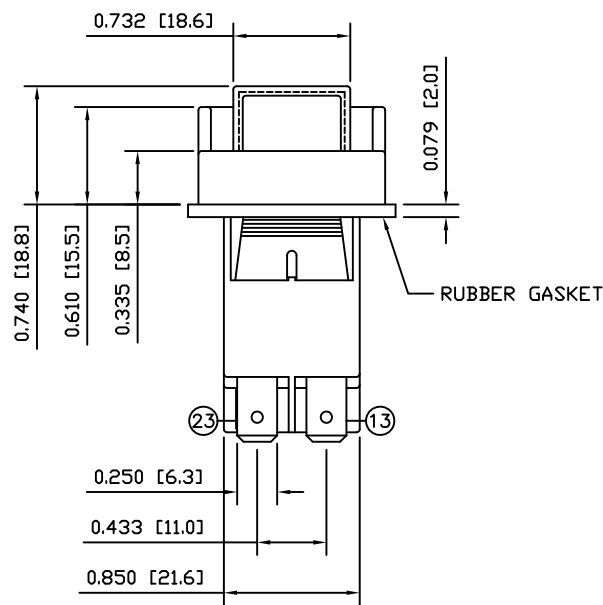
A



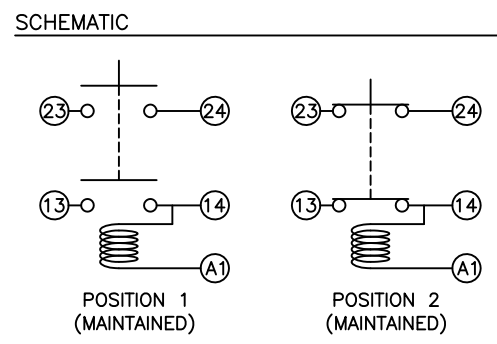
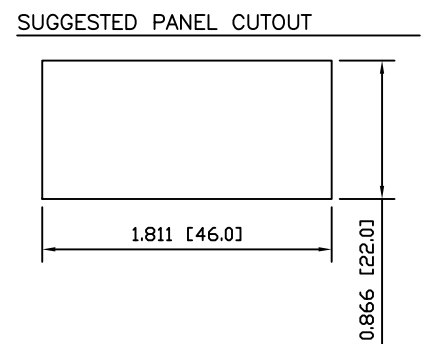
B



C



D



**COLORS AND MARKINGS**

BEZEL:  
Black

ACTUATOR:  
ON: Green  
OFF: Red

MARKING:  
I/O Vertical

MARKING COLOR:  
White

**SPECIFICATIONS**

FUNCTION:  
2P1T OFF-ON  
Auto OFF Below Calibration Voltage  
Remote Trip

RATINGS:  
12A 120VAC [cURus]  
16A 120VAC [cURus]  
1/2HP 120VAC [cURus]  
16A 220-240VAC [cURus]  
2HP 220-240VAC [cURus]  
10(8)A 250V~ 5E4 [VDE]

CALIBRATION VOLTAGE:  
Use: 120V 60Hz  
Release: 75-55V

ELECTRICAL LIFE:  
50,000 Cycles

INTRUSION PROTECTION:  
IP55

APPROVALS:

**MATERIALS**

UPPER BODY:  
Polyamide 6/6 (PA66)

LOWER BODY:  
Polyamide 6/6 (PA66+G10)

BEZEL:  
Polyamide 6/6 (PA66+G10)

ACTUATORS:  
Polyamide 6/6 (PA66)

MOUNTING EARS:  
Polyamide 6/6 (PA66)

COVER:  
Polyvinyl Chloride (PVC)

CONTACTS:  
Silver Alloy Clad Copper (AgSnO/Cu)

TERMINALS:  
Brass

GASKET:  
Rubber

UNLESS OTHERWISE SPECIFIED,  
DIMENSIONS ARE IN INCHES [MILLIMETERS]  
TOLERANCES ARE:  
±0.008 [±0.2] ANG ± 1°  
DRAWING NOT TO SCALE  
DRAWN BY: STACEY CHRISTIANSON

**LAMB INDUSTRIES** P.O. Box 25110 Portland, OR 97298

REVISION: A  
AUG. 18, 2008

DRAWING NUMBER: 34-KJD17-22213-112.dwg

**KJD17-22213-112**