

8

7

6

5

4

3

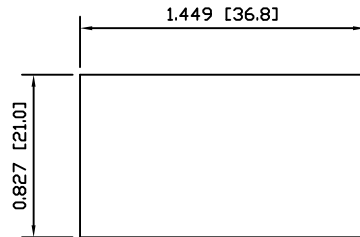
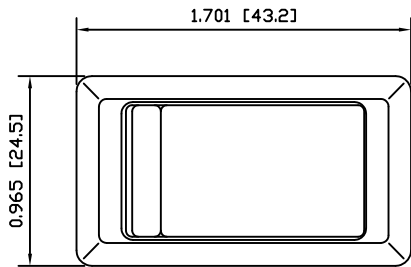
2

1

SUGGESTED PANEL CUTOUT

MATERIALS

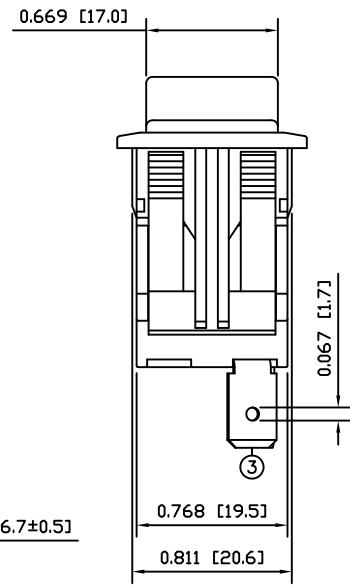
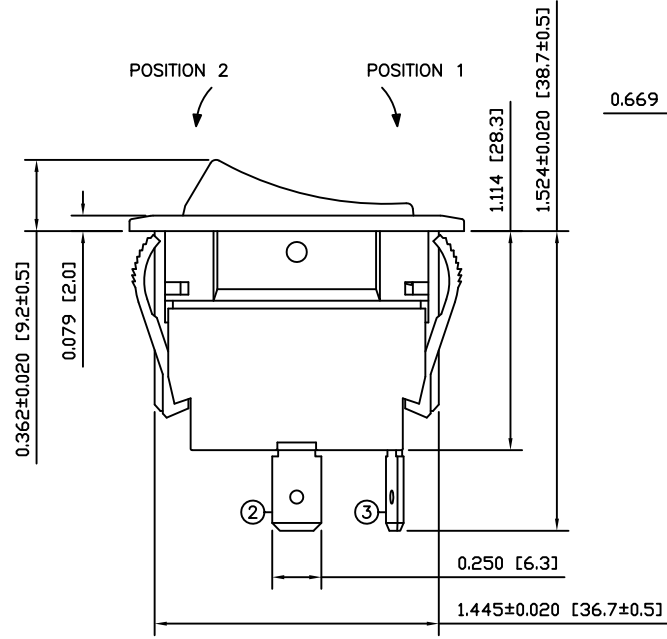
SPECIFICATIONS



- BODY:**  
Polyamide 6/6 (PA66), UL94 V-2
- ACTUATOR:**  
Polyamide 6/6 (PA66), UL94 V-2  
Brass
- SEALING MEMBRANE;**  
Polyvinyl Chloride (PVC)
- SPRING:**  
Piano Wire
- MOBILE CONTACT:**  
Brass
- CONTACTS:**  
Silver Clad Copper
- RIVETS:**  
Copper
- TERMINALS:**  
Brass

- FUNCTION:**  
1P1T OFF-ON
- RATINGS:**  
20A 125VAC [cURus]  
15A 277VAC [cURus]  
2HP 125/250VAC [cURus]
- CONTACT RESISTANCE:**  
Initial: 50mΩ Max. at 50VAC
- INSULATION RESISTANCE:**  
800MΩ Min. at 500VDC
- DIELECTRIC STRENGTH:**  
1,500VAC For 1 Minute
- ELECTRICAL LIFE:**  
6,000 Cycles [cURus]
- TEMPERATURE:**  
Operating: -20°C to 85°C [cURus]
- INGRESS PROTECTION:**  
IP54

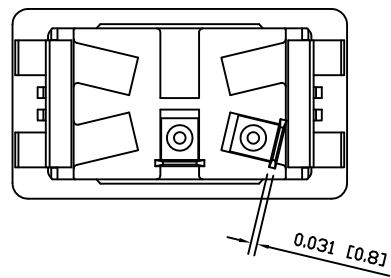
POSITION 2      POSITION 1



COLORS AND MARKINGS

- BODY COLOR:**  
Black
- ACTUATOR COLOR:**  
Black
- MARKINGS:**  
None
- MARKING COLOR:**  
None

SCHEMATIC



UNLESS OTHERWISE SPECIFIED,  
DIMENSIONS ARE IN INCHES [MILLIMETERS]  
TOLERANCES ARE:

±0.008 [±0.2]	ANG ± 1°
DRAWING NOT TO SCALE	
DRAWN BY: STACEY CHRISTIANSON	

	P.O. Box 25110 Portland, OR 97298	LAST REVISION: JULY 23, 2008
	DRAWING NUMBER: 34-RVW41D1100.dwg	
<h1 style="margin: 0;">RVW41D1100</h1>		

8

7

6

5

4

3

2

1