

8

7

6

5

4

3

2

1

A

A

B

B

C

C

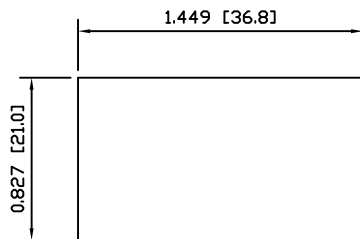
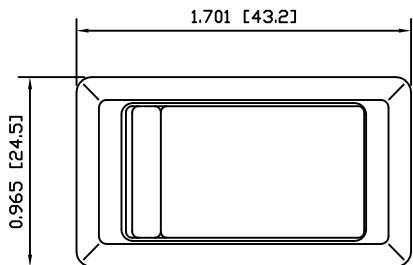
D

D

SUGGESTED PANEL CUTOUT

MATERIALS

SPECIFICATIONS



- BODY:**
Polyamide 6/6 (PA66), UL94 V-2
- ACTUATOR:**
Polyamide 6/6 (PA66), UL94 V-2
Brass
- SEALING MEMBRANE;**
Polyvinyl Chloride (PVC)
- SPRING:**
Piano Wire
- MOBILE CONTACT:**
Brass
- CONTACTS:**
Silver Clad Copper
- RIVETS:**
Copper
- TERMINALS:**
Brass

- FUNCTION:**
1P2T ON-ON
- RATINGS:**
20A 125VAC [cURus]
15A 277VAC [cURus]
2HP 125/250VAC [cURus]
- CONTACT RESISTANCE:**
Initial: 50mΩ Max. at 50VAC
- INSULATION RESISTANCE:**
800MΩ Min. at 500VDC
- DIELECTRIC STRENGTH:**
1,500VAC For 1 Minute
- ELECTRICAL LIFE:**
6,000 Cycles [cURus]
- TEMPERATURE:**
Operating: -20°C to 85°C [cURus]
- INGRESS PROTECTION:**
IP54

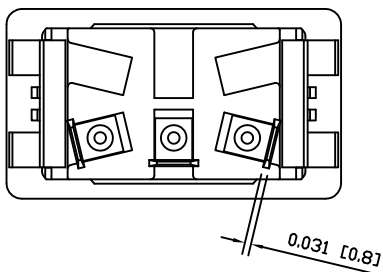
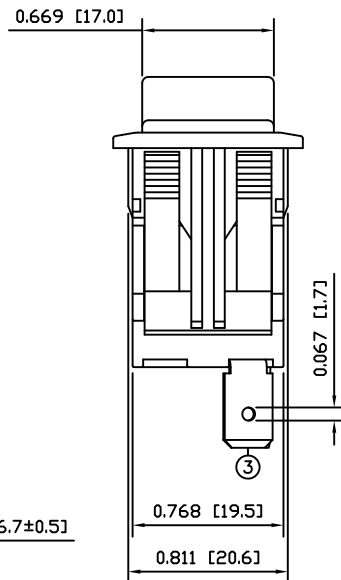
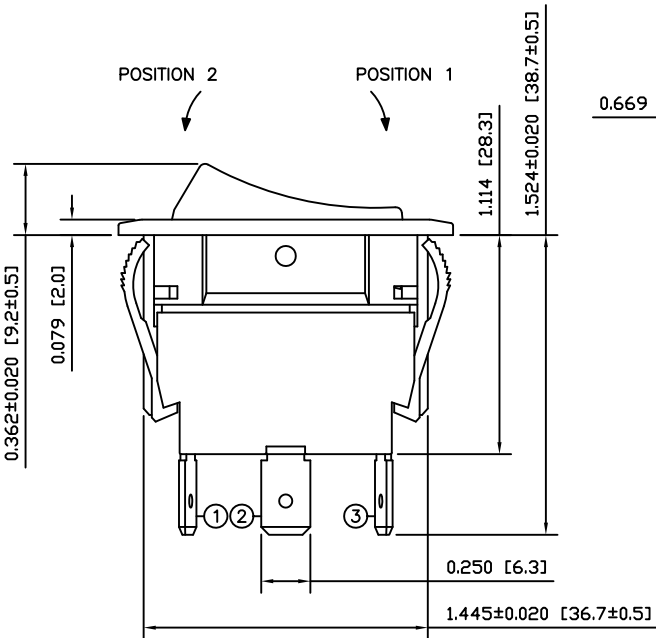
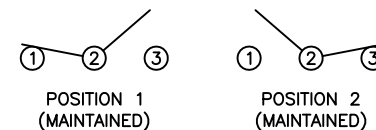
APPROVALS:



COLORS AND MARKINGS

- BODY COLOR:**
Black
- ACTUATOR COLOR:**
Black
- MARKINGS:**
None
- MARKING COLOR:**
None

SCHEMATIC



UNLESS OTHERWISE SPECIFIED,
DIMENSIONS ARE IN INCHES [MILLIMETERS]
TOLERANCES ARE:

±0.008 [±0.2]	ANG ± 1°
DRAWING NOT TO SCALE	
DRAWN BY: STACEY CHRISTIANSON	

LAMB
INDUSTRIES P.O. Box 25110
Portland, OR 97298

LAST REVISION:
JULY 24, 2008

DRAWING NUMBER: 34-RVW43D1100.dwg

RVW43D1100

8

7

6

5

4

3

2

1