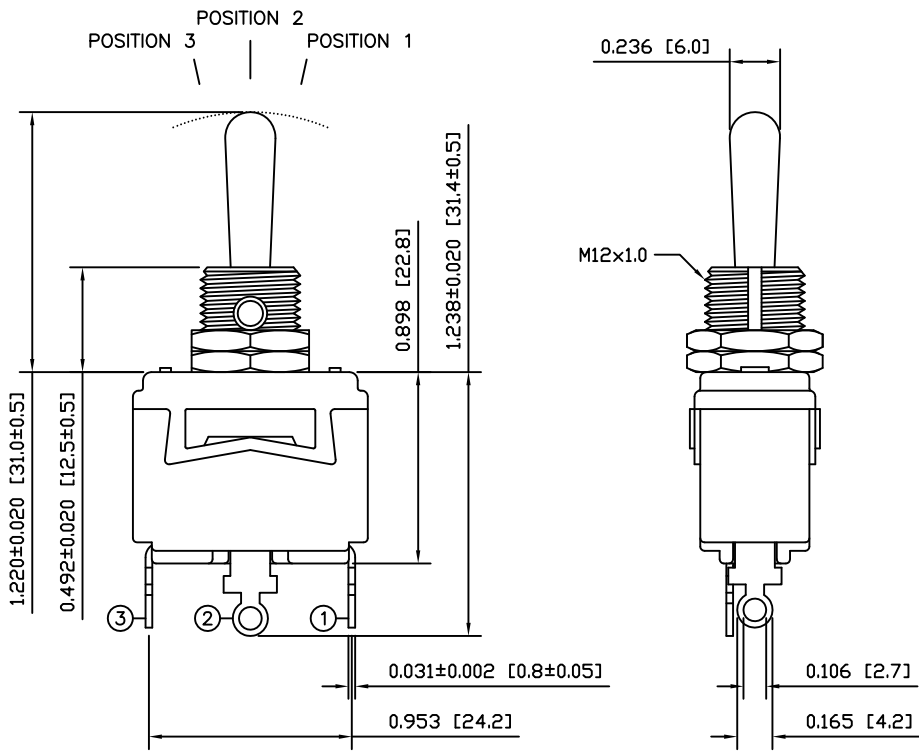


A

A



B

B

MATERIALS

SPECIFICATIONS

- BODY:
Phenolic, UL94 V-0
- ACTUATOR:
Nickel Plated Brass
- BUSHING:
Nickel Plated Brass
- HOUSING:
Stainless Steel
- HARDWARE:
Nickel Plated Steel
- FUNCTION PLATE:
Stainless Steel
- SPACER PLATE:
Laminate Board
- SPRING:
Steel
- PLUNGER:
Nylon
- MOBILE CONTACT:
Silver Plated Copper
- MOBILE CONTACT PIVOT:
Silver Plated Copper
- CONTACTS:
Silver Alloy Clad Copper
- TERMINALS:
Silver Plated Brass

- FUNCTION:
1P2T (ON)-OFF-(ON)
- RATINGS:
20A 125VAC [cURus]
15A 277VAC [cURus]
1.5HP 125/277VAC [cURus]
- OPERATING LIFE:
6,000 Cycles [cURus]
- CONTACT RESISTANCE:
Initial: 50mΩ Max. at 50VAC
- INSULATION RESISTNACE:
800MΩ Min. at 500VDC
- Dielectric Strength:
1,500VAC for 1 Minute
- TEMPERATURE:
Operating: -20°C to 85°C
- APPROVALS:

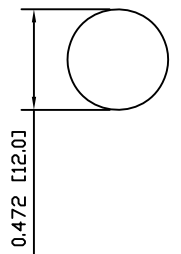
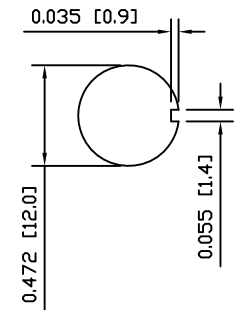
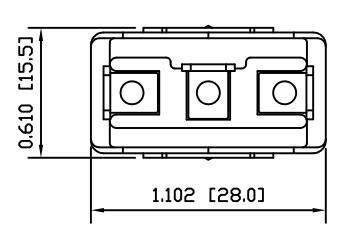


C

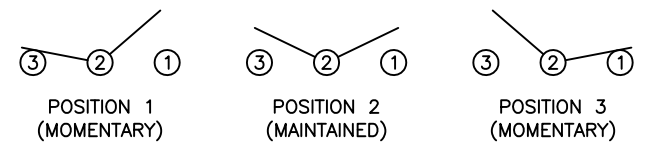
C

SUGGESTED PANEL CUTOUT

ALTERNATE PANEL CUTOUT



SCHEMATIC



D

D

UNLESS OTHERWISE SPECIFIED, DIMENSIONS ARE IN INCHES [MILLIMETERS] TOLERANCES ARE: ±0.008 [±0.2] ANG ± 1° DRAWING NOT TO SCALE DRAWN BY: STACEY CHRISTIANSON	LAMB INDUSTRIES P.O. Box 25110 Portland, OR 97298	REVISION: A JULY 18, 2008
	DRAWING NUMBER: 34-ST12DD00.dwg	
	ST12DD00	
	DRAWING NUMBER: 34-ST12DD00.dwg	