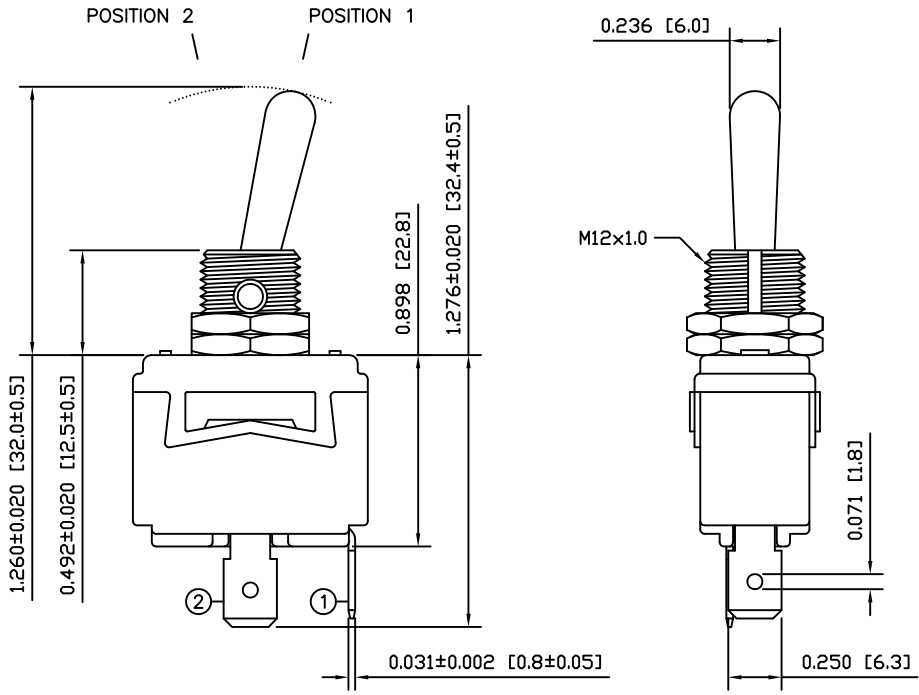


8 7 6 5 4 3 2 1

A

A



B

B

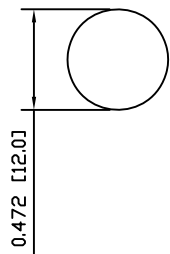
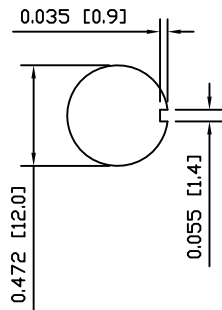
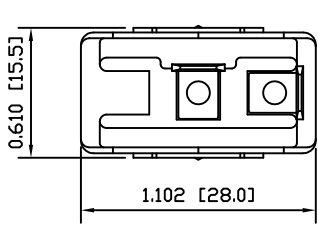
MATERIALS	SPECIFICATIONS
BODY: Phenolic, UL94 V-0	FUNCTION: 1P1T OFF-ON
ACTUATOR: Nickel Plated Brass	RATINGS: 20A 125VAC [cURus] 15A 277VAC [cURus] 1.5HP 125/277VAC [cURus]
BUSHING: Nickel Plated Brass	OPERATING LIFE: 6,000 Cycles [cURus]
HOUSING: Stainless Steel	CONTACT RESISTANCE: Initial: 50mΩ Max. at 50VAC
HARDWARE: Nickel Plated Steel	INSULATION RESISTANCE: 800MΩ Min. at 500VDC
FUNCTION PLATE: Stainless Steel	Dielectric Strength: 1,500VAC for 1 Minute
SPACER PLATE: Laminate Board	TEMPERATURE: Operating: -20°C to 85°C
SPRING: Steel	APPROVALS: cULus RoHS
PLUNGER: Nylon	
MOBILE CONTACT: Silver Plated Copper	
MOBILE CONTACT PIVOT: Silver Plated Copper	
CONTACTS: Silver Alloy Clad Copper	
TERMINALS: Brass	

C

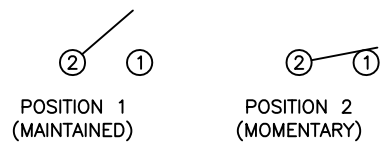
C

SUGGESTED PANEL CUTOUT

ALTERNATE PANEL CUTOUT



SCHEMATIC



D

D

UNLESS OTHERWISE SPECIFIED, DIMENSIONS ARE IN INCHES [MILLIMETERS] TOLERANCES ARE: ±0.008 [±0.2] ANG ± 1° DRAWING NOT TO SCALE DRAWN BY: STACEY CHRISTIANSON	LAMB INDUSTRIES <small>P.O. Box 25110 Portland, OR 97298</small>	REVISION: A JULY 21, 2008
	DRAWING NUMBER: 34-ST144D00.dwg	
	<h1>ST144D00</h1>	

8 7 6 5 4 3 2 1