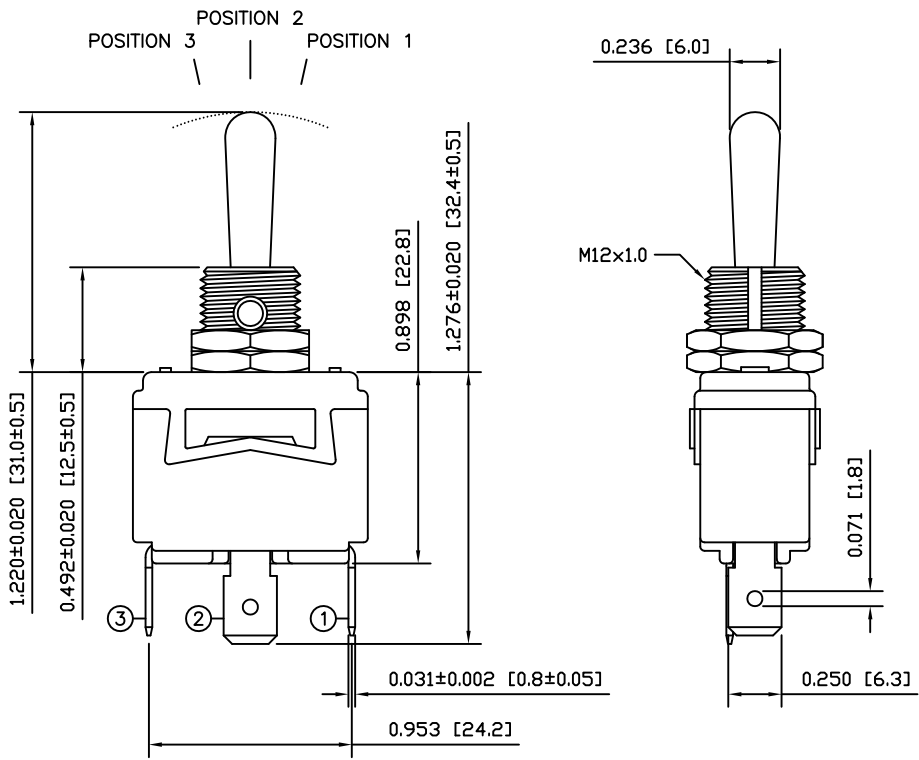


A

A



B

B

MATERIALS

SPECIFICATIONS

BODY:
Phenolic, UL94 V-0

ACTUATOR:
Nickel Plated Brass

BUSHING:
Nickel Plated Brass

HOUSING:
Stainless Steel

HARDWARE:
Nickel Plated Steel

FUNCTION PLATE:
Stainless Steel

SPACER PLATE:
Laminate Board

SPRING:
Steel

PLUNGER:
Nylon

MOBILE CONTACT:
Silver Plated Copper

MOBILE CONTACT PIVOT:
Silver Plated Copper

CONTACTS:
Silver Alloy Clad Copper

TERMINALS:
Brass

FUNCTION:
1P2T (ON)-OFF-(ON)

RATINGS:
20A 125VAC [cURus]
15A 277VAC [cURus]
1.5HP 125/277VAC [cURus]

OPERATING LIFE:
6,000 Cycles [cURus]

CONTACT RESISTANCE:
Initial: 50mΩ Max. at 50VAC

INSULATION RESISTANCE:
800MΩ Min. at 500VDC

Dielectric Strength:
1,500VAC for 1 Minute

TEMPERATURE:
Operating: -20°C to 85°C

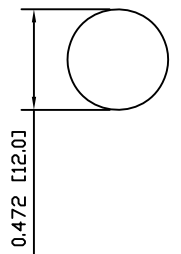
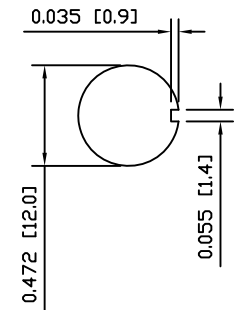
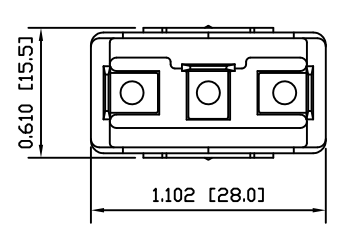


C

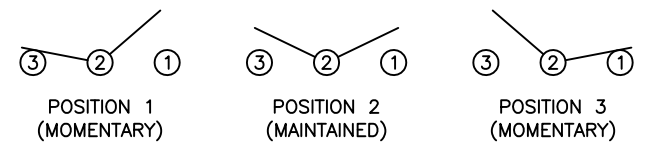
C

SUGGESTED PANEL CUTOUT

ALTERNATE PANEL CUTOUT



SCHEMATIC



D

D

UNLESS OTHERWISE SPECIFIED, DIMENSIONS ARE IN INCHES [MILLIMETERS] TOLERANCES ARE: ±0.008 [±0.2] ANG ± 1° DRAWING NOT TO SCALE DRAWN BY: STACEY CHRISTIANSON	LAMB INDUSTRIES P.O. Box 25110 Portland, OR 97298	REVISION: A JULY 21, 2008
	DRAWING NUMBER: 34-ST14DD00.dwg	
	<h1>ST14DD00</h1>	