

8

7

6

5

4

3

2

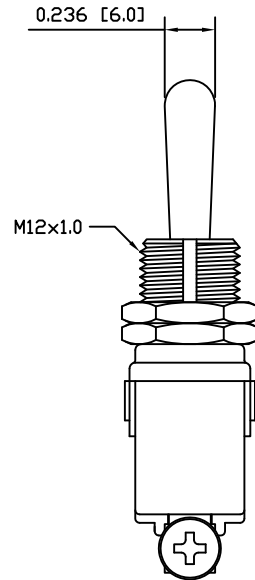
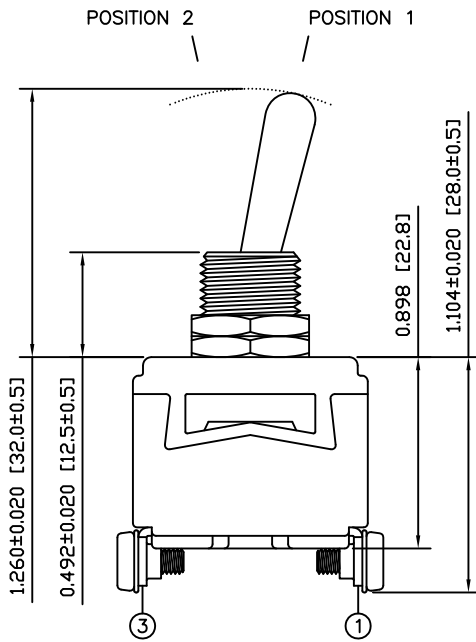
1

A

B

C

D



MATERIALS

- BODY: Phenolic, UL94 V-0
- ACTUATOR: Nickel Plated Brass
- BUSHING: Nickel Plated Brass
- HOUSING: Stainless Steel
- HARDWARE: Nickel Plated Steel
- FUNCTION PLATE: Stainless Steel
- SPACER PLATE: Laminate Board
- SPRING: Steel
- PLUNGER: Nylon
- MOBILE CONTACT: Silver Plated Copper
- MOBILE CONTACT PIVOT: Silver Plated Copper
- CONTACTS: Silver Alloy Clad Copper
- TERMINALS: Brass

SPECIFICATIONS

- FUNCTION: 1P1T OFF-ON
- RATINGS: 20A 125VAC [cURus], 15A 277VAC [cURus], 2HP 125/277VAC [cURus]
- OPERATING LIFE: 6,000 Cycles [cURus]
- CONTACT RESISTANCE: Initial: 50mΩ Max. at 50VAC
- INSULATION RESISTANCE: 800MΩ Min. at 500VDC
- Dielectric Strength: 1,500VAC for 1 Minute
- TEMPERATURE: Operating: -20°C to 85°C
- APPROVALS:



A

B

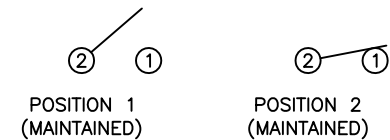
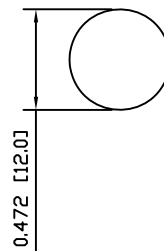
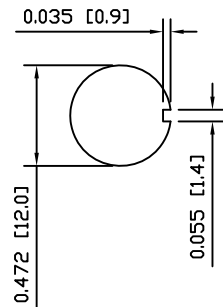
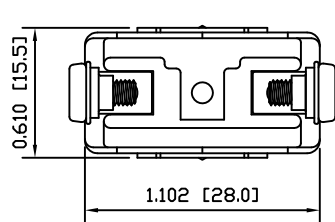
C

D

SUGGESTED PANEL CUTOUT

ALTERNATE PANEL CUTOUT

SCHEMATIC



UNLESS OTHERWISE SPECIFIED,
DIMENSIONS ARE IN INCHES [MILLIMETERS]
TOLERANCES ARE:
±0.008 [±0.2] ANG ± 1°
DRAWING NOT TO SCALE
DRAWN BY: STACEY CHRISTIANSON

LAMB INDUSTRIES P.O. Box 25110 Portland, OR 97298
DRAWING NUMBER: 34-ST161D00.dwg

REVISION: A
JULY 21, 2008

ST161D00

8

7

6

5

4

3

2

1