

8

7

6

5

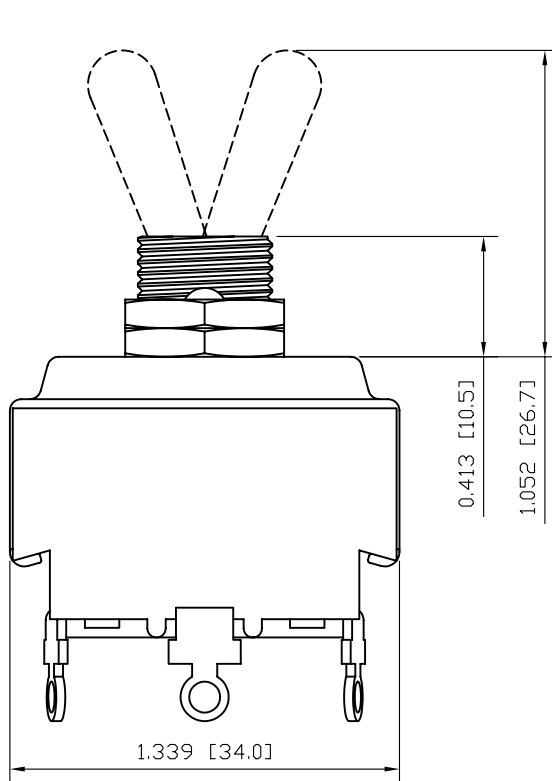
4

3

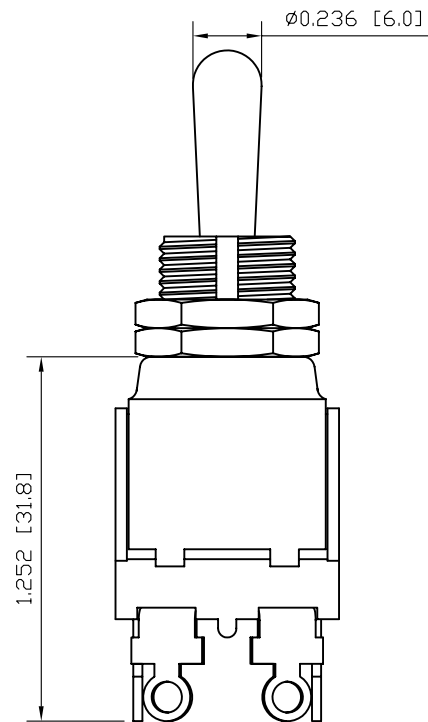
2

1

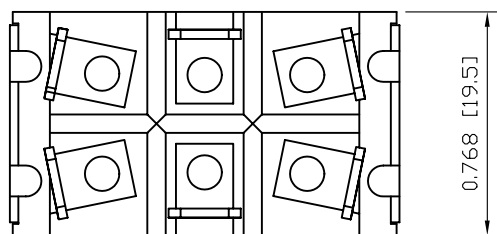
A



B

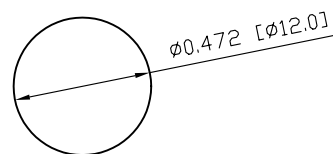


C

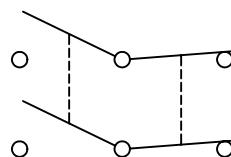


D

SUGGESTED PANEL CUTOUT



SCHEMATIC



SPECIFICATIONS

FUNCTION:
2P2T ON-ON

RATINGS:
20A 125VAC [cULus]
12A 250VAC [cULus]
2 HP 125/250VAC [cULus]

8.5A 250VAC~ 5E4 [TUV]

OPERATING TEMPERATURE:
0°C~85°C

CONTACT RESISTANCE:
2mΩ at 50VAC

INSULATION RESISTANCE:
800MΩ at 500VAC

WITHSTAND VOLTAGE:
1500VAC for 1 Minute

APPROVALS:



MATERIALS

BODY:
Phenolic, UL 94V-0

ACTUATOR:
Nickel Plated Brass

PIVOT PIN:
Aluminum

BUSHING:
Nickel Plated Brass

HOUSING:
Stainless Steel

CONTACTS:
Silver Plated Copper

ELECTRICAL TERMINALS:
Brass

HARDWARE:
Nickel Plated Brass

LAMB INDUSTRIES P.O. Box 25110
Portland, OR 97298

LAST REVISION:
OCT. 13, 2004

UNLESS OTHERWISE SPECIFIED,
DIMENSIONS ARE IN INCHES [MILLIMETERS]
TOLERANCES ARE:

DEC .X±0.1	ANG ± 1°
.XXX±0.005	DRAWING NOT TO SCALE

DRAWING NUMBER: 34-ST22GD00.dwg

ST22GD00

8

7

6

5

4

3

2

1