

8

7

6

5

4

3

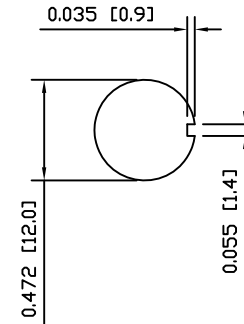
2

1

A

A

SUGGESTED PANEL CUTOUT



SPECIFICATIONS

FUNCTION:
2P1T OFF-(ON)

RATINGS:
20A 125VAC [cULus]
12A 250VAC [cULus]
1.5HP 125/250VAC [cULus]

OPERATING LIFE:
6,000 Cycles [cULus]

CONTACT RESISTANCE:
Initial: 50mΩ Max. at 50VAC

INSULATION RESISTANCE:
800MΩ Min. at 500VDC

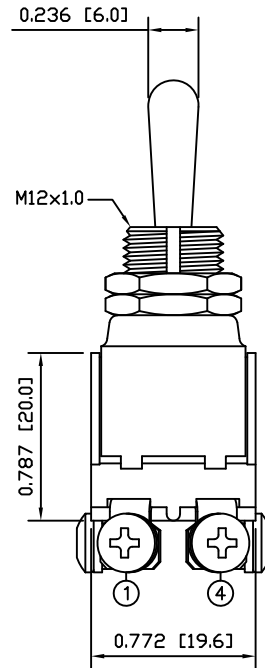
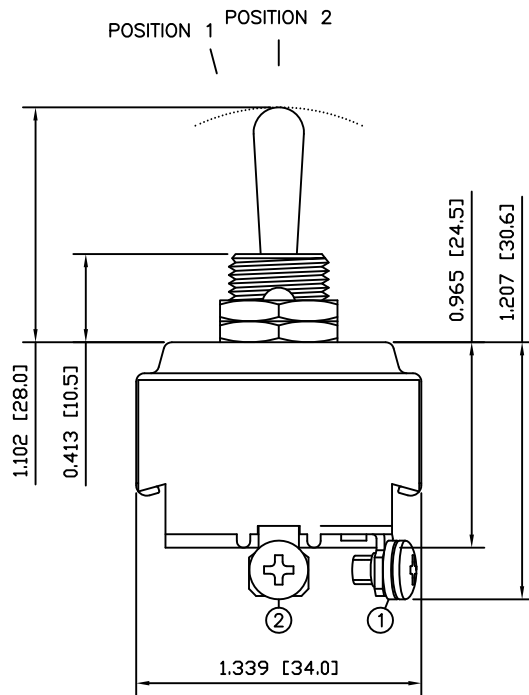
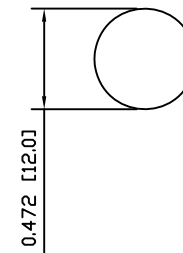
DIELECTRIC STRENGTH:
1,500VAC for 1 Minute

TEMPERATURE:
Operating: -20°C to 85°C

APPROVALS:



ALTERNATE PANEL CUTOUT



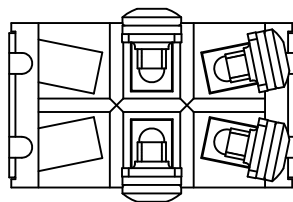
B

B

C

C

SCHEMATIC



POSITION 1
(MOMENTARY)

POSITION 2
(MAINTAINED)

D

D

MATERIALS

BODY:
Phenolic, UL94 V-0

ACTUATOR:
Nickel Plated Brass

BUSHING:
Nickel Plated Brass

HOUSING:
Stainless Steel

CONTACTS:
Silver Alloy

TERMINALS:
Brass



LAST REVISION:
JULY 21, 2008

UNLESS OTHERWISE SPECIFIED,
DIMENSIONS ARE IN INCHES [MILLIMETERS]
TOLERANCES ARE:

DEC .X±0.2	ANG ± 1°
.XXX±0.008	DRAWING NOT TO SCALE
DRAWN BY: STACEY CHRISTIANSON	

DRAWING NUMBER: 34-ST26ED00.dwg

ST26ED00

8

7

6

5

4

3

2

1