

8

7

6

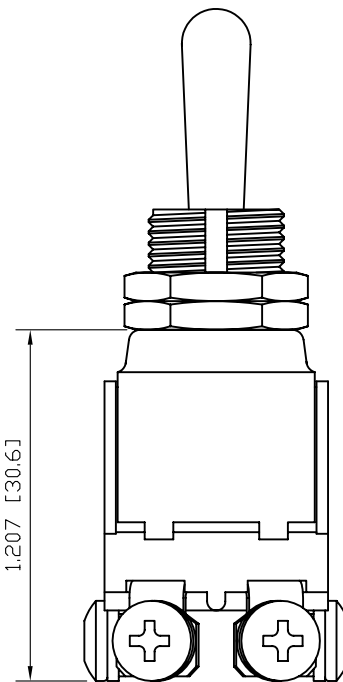
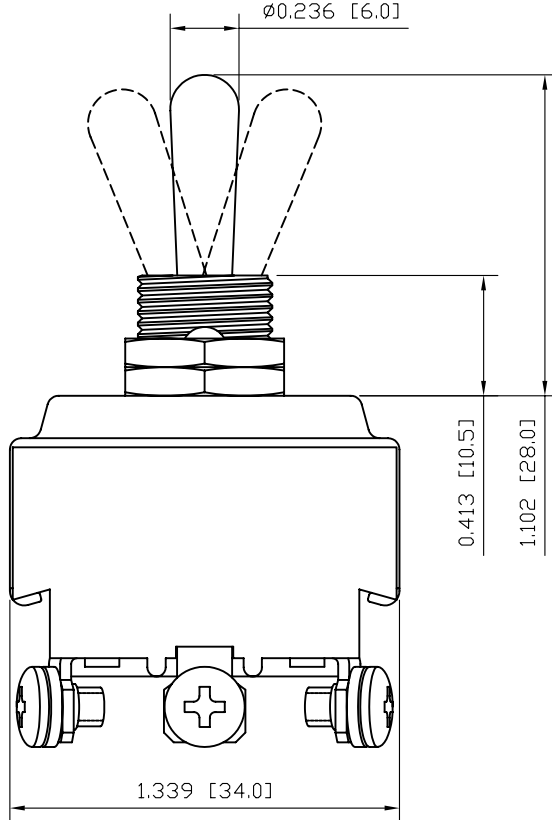
5

4

3

2

1

 $\phi 0.236$ [6.0]


SPECIFICATIONS

FUNCTION:

2P2T (ON)-OFF-(ON)

RATINGS:

20A 125VAC [cULus]
12A 250VAC [cULus]
1.5 HP 125/250VAC [cULus]

8.5A 250VAC~ 5E4 [TUV]

OPERATING TEMPERATURE:

0°C~85°C

CONTACT RESISTANCE:

2mΩ at 50VAC

INSULATION RESISTANCE:

800MΩ at 500VAC

WITHSTAND VOLTAGE:

1500VAC for 1 Minute

APPROVALS:



MATERIALS

BODY:

Phenolic, UL 94V-0

ACTUATOR:

Nickel Plated Brass

PIVOT PIN:

Aluminum

BUSHING:

Nickel Plated Brass

HOUSING:

Stainless Steel

CONTACTS:

Silver Plated Copper

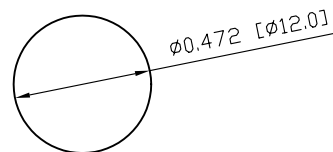
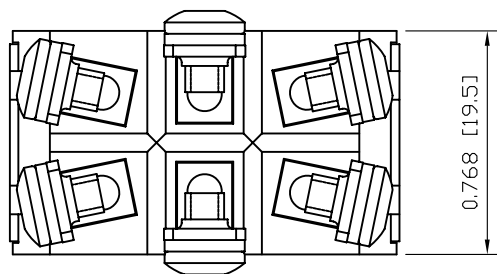
ELECTRICAL TERMINALS:

Brass

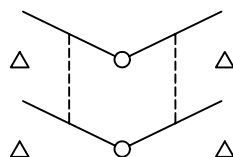
HARDWARE:

Nickel Plated Brass

SUGGESTED PANEL CUTOUT



SCHEMATIC



UNLESS OTHERWISE SPECIFIED,
DIMENSIONS ARE IN INCHES [MILLIMETERS]
TOLERANCES ARE:

DEC .X±0.1	ANG ± 1°
.XXX±0.005	DRAWING NOT TO SCALE

LAMB INDUSTRIES P.O. Box 25110
Portland, OR 97298

LAST REVISION:
OCT. 13, 2004

DRAWING NUMBER: 34-ST26KD00.dwg

ST26KD00

8

7

6

5

4

3

2

1