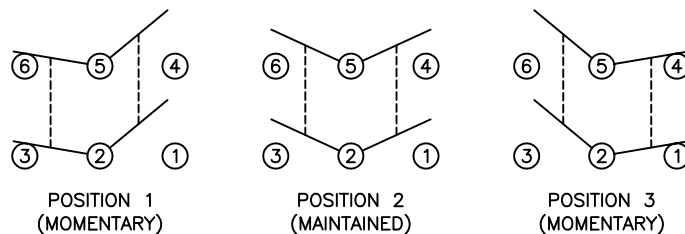


SCHEMATIC



SPECIFICATIONS

FUNCTION:
2P2T (ON)-OFF-(ON)

RATINGS:
20A 125/250VAC [cURus]
1.5HP 125/250VAC [cURus]

18(10)A 250V~ 5E4 T85 [SEMKO, ENEC]

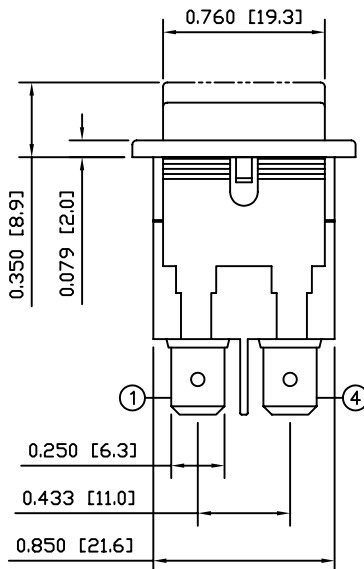
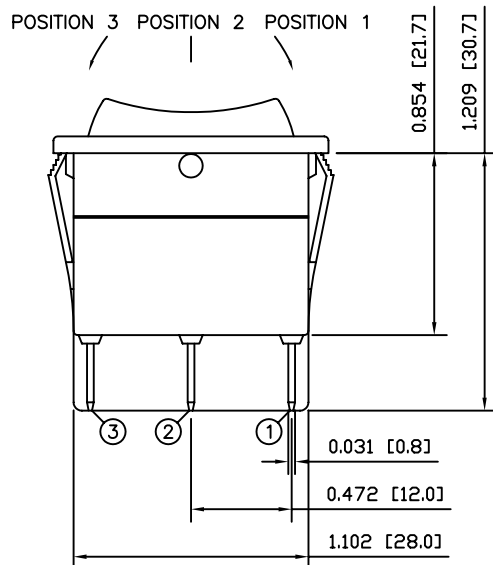
CONTACT RESISTANCE:
Initial: 50mΩ Max.

INSULATION RESISTANCE:
500MΩ Min. at 500VDC

DIELECTRIC STRENGTH:
1,500VAC For 1 Minute

TEMPERATURE:
Operating: -20°C to 85°C

INGRESS PROTECTION:
IP55



APPROVALS:



COLORS AND MARKINGS

BODY:
Black

ACTUATOR:
Black

MOUNTING EARS:
White

MARKINGS:
None

MARKING COLOR:
None

MATERIALS

BODY:
Polyamide 6/6 (PA66), UL94 V-0

ACTUATOR:
Polyamide 6/6 (PA66), UL94 V-0

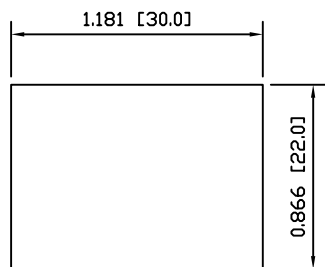
MOUNTING EARS:
Polyamide 6/6 (PA66), UL94 V-0

CONTACTS:
Silver Alloy

ELECTRICAL TERMINALS:
Nickel Plated Brass

RUBBER SEAL:
Ethylene Propylene - Thermoplastic Rubber (EPTR)

SUGGESTED PANEL CUTOUT



UNLESS OTHERWISE SPECIFIED,
DIMENSIONS ARE IN INCHES [MILLIMETERS]
TOLERANCES ARE:

±0.008 [±0.2]	ANG ± 1°
DRAWING NOT TO SCALE	
DRAWN BY: CARL BUCHHEIT	

LAMB INDUSTRIES P.O. Box 25110
Portland, OR 97298

LAST REVISION:
DEC. 10, 2007

DRAWING NUMBER: 34-WB24KD1100.dwg

WB24KD1100