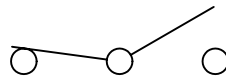


SCHEMATIC



SPECIFICATIONS

FUNCTION:
1P2T ON-ON

RATINGS:
10A 125VAC [UL, cUL]
6(2)A 250V~ μ1E4 T125 [European]

CONTACT RESISTANCE:
Initial: 35mΩ at 50VAC Min.

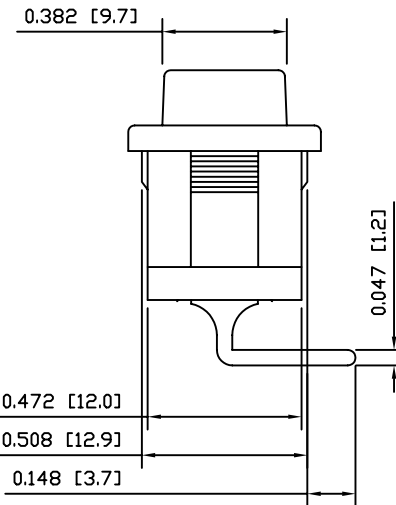
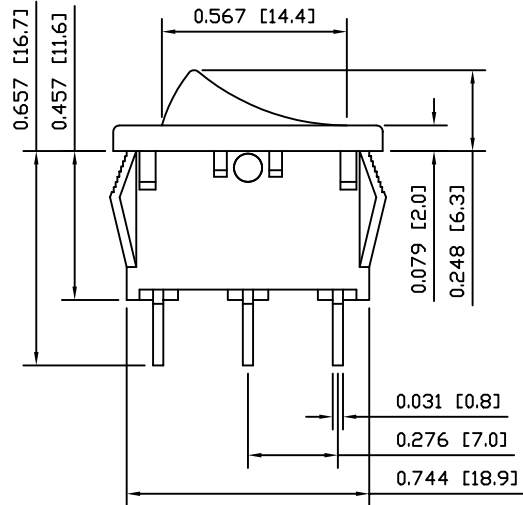
INSULATION RESISTANCE:
100MΩ at 500VDC Min.

WITHSTAND VOLTAGE:
1500VAC For 1 Minute

ELECTRICAL LIFE:
10,000 Cycles Min.

TEMPERATURE:
Operating: -20°C to 105°C

APPROVALS:



MATERIALS

BODY:
Polyamide 6/6 (PA66), UL94 V-2

ACTUATOR:
Polyamide 6/6 (PA66), UL94 V-2

SPRING:
Steel

BALL:
Steel

MOBILE CONTACT:
Silver Plated Copper

CONTACTS:
Silver Plated Copper

TERMINALS:
Silver Plated Copper

COLORS AND MARKINGS

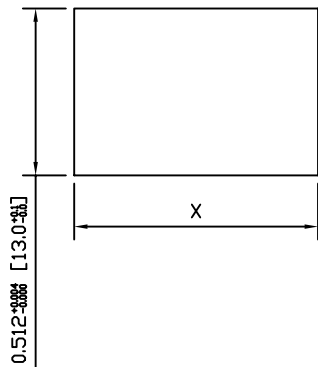
BODY:
Black

ACTUATOR:
Black

MARKINGS:
None

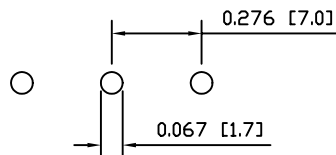
MARKING COLOR:
None

SUGGESTED PANEL CUTOUT



PANEL THICKNESS	X
0.030~0.049 [0.75~1.25]	0.756 [19.2]
0.049~0.079 [1.25~2.00]	0.764 [19.4]
0.079~0.118 [2.00~3.00]	0.772 [19.6]

SUGGESTED PCB LAYOUT



UNLESS OTHERWISE SPECIFIED,
DIMENSIONS ARE IN INCHES [MILLIMETERS]
TOLERANCES ARE:

DEC .X±0.2	ANG ± 1°
.XXX±0.008	DRAWING NOT TO SCALE

	P.O. Box 25110 Portland, OR 97298	LAST REVISION: OCT. 06, 2005
	DRAWING NUMBER: 38-RA1H331100.dwg	
RA1H331100		