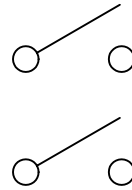


**SCHEMATIC**



**SPECIFICATIONS**

**FUNCTION:**  
2x1P1T OFF-ON

**RATINGS:**  
10A 125VAC [UL, cUL]  
6(2)A 250V~  $\mu$ 1E4 T125/55 [VDE]

**CONTACT RESISTANCE:**  
Initial: 35m $\Omega$  at 50VAC Min.

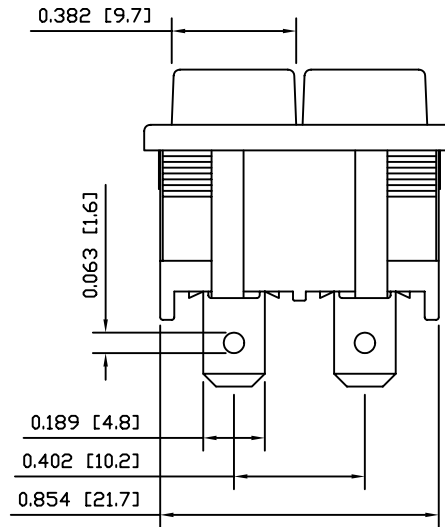
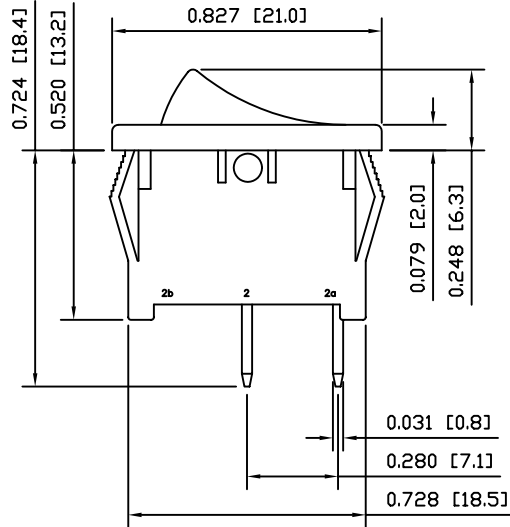
**INSULATION RESISTANCE:**  
100M $\Omega$  at 500VDC Min.

**WITHSTAND VOLTAGE:**  
1500VAC For 1 Minute

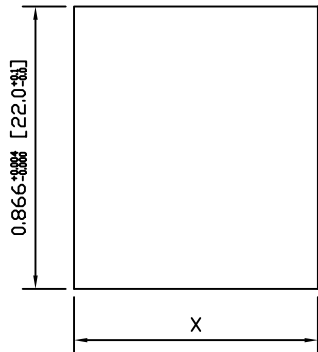
**ELECTRICAL LIFE:**  
10,000 Cycles Min.

**TEMPERATURE:**  
Operating: -20°C to 105°C

**APPROVALS:**



**SUGGESTED PANEL CUTOUT**



| PANEL THICKNESS         | X            |
|-------------------------|--------------|
| 0.030~0.049 [0.75~1.25] | 0.756 [19.2] |
| 0.049~0.079 [1.25~2.00] | 0.764 [19.4] |
| 0.079~0.118 [2.00~3.00] | 0.772 [19.6] |

**MATERIALS**

**BODY:**  
Polyamide 6/6 (PA66), UL94 V-2

**ACTUATOR:**  
Polyamide 6/6 (PA66), UL94 V-2

**SPRING:**  
Steel

**BALL:**  
Steel

**MOBILE CONTACT:**  
Silver Plated Copper

**CONTACTS:**  
Silver Plated Copper

**TERMINALS:**  
Silver Plated Copper

**COLORS AND MARKINGS**

**BODY:**  
Black

**ACTUATOR:**  
Black

**MARKINGS:**  
None

**MARKING COLOR:**  
None

**LAMB INDUSTRIES** P.O. Box 25110  
Portland, OR 97298

LAST REVISION:  
OCT. 11, 2005

UNLESS OTHERWISE SPECIFIED,  
DIMENSIONS ARE IN INCHES [MILLIMETERS]  
TOLERANCES ARE:  
DEC .X±0.2 ANG ± 1°  
.XXX±0.008 DRAWING NOT TO SCALE

DRAWING NUMBER: 38-RA21131100.dwg

**RA21131100**