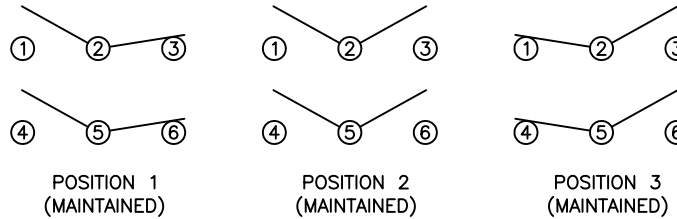


**SCHEMATIC**



**SPECIFICATIONS**

**FUNCTION:**  
2P2T ON-OFF-ON

**RATINGS:**  
16A 125VAC/8A 250VAC, T55C [cULus]  
16(4)250V~ 1E4 T125/55 [VDE]  
16(8)250V~ 1E4 T125/55 [VDE]

**CONTACT RESISTANCE:**  
Initial: 35mΩ Max. at 50VAC

**INSULATION RESISTANCE:**  
100MΩ Min. at 500VDC

**DIELECTRIC STRENGTH:**  
1500VAC For 1 Minute

**ELECTRICAL LIFE:**  
10,000 Cycles

**TEMPERATURE:**  
Operating: -20C to +55C [cULus]  
Operating: -20C to +125C [VDE]

**APPROVALS:**



A

A

B

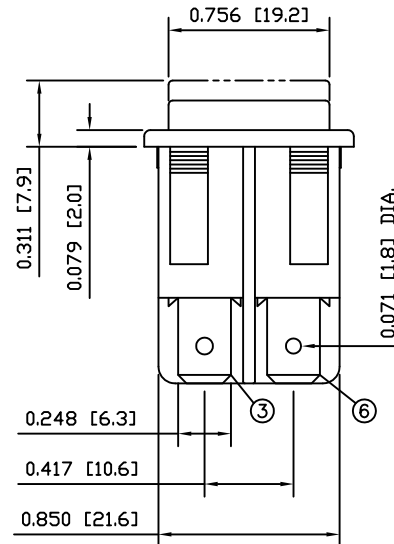
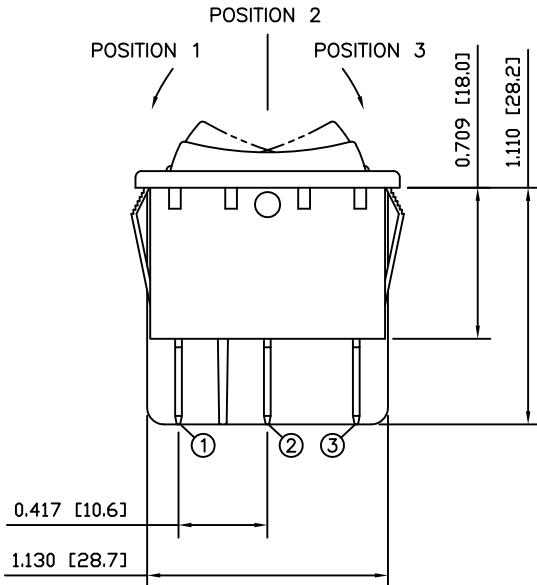
B

C

C

D

D



**COLORS AND MARKINGS**

**BODY:**  
Black

**ACTUATOR:**  
Black

**MARKINGS:**  
None

**MARKING COLOR:**  
None

**MATERIALS**

**BODY:**  
Polyamide 6/6 (PA66) UL94 V-2

**ACTUATOR:**  
Polyamide 6/6 (PA66) UL94 V-2

**CONTACTS:**  
Silver Plated Copper

**TERMINALS:**  
Silver Plated Copper

**SUGGESTED PANEL CUTOUT**



PANEL THICKNESS	X
0.030~0.049 [0.75~1.25]	1.181 [30.0]
0.049~0.079 [1.25~2.00]	1.189 [30.2]
0.079~0.118 [2.00~3.00]	1.197 [30.4]

UNLESS OTHERWISE SPECIFIED,  
DIMENSIONS ARE IN INCHES [MILLIMETERS]  
TOLERANCES ARE:  
DEC .X±0.2 ANG ± 1°  
.XXX±0.008 DRAWING NOT TO SCALE  
DRAWN BY: STACEY CHRISTIANSON

**LAMB INDUSTRIES** P.O. Box 25110  
Portland, OR 97298  
DRAWING NUMBER: 38-RB246C1100.dwg  
LAST REVISION: MAY 12, 2008

**RB246C1100**

8

7

6

5

4

3

2

1