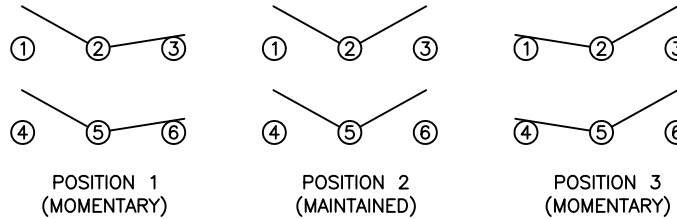


SCHEMATIC



SPECIFICATIONS

FUNCTION:
2P2T (ON)-OFF-(ON)

RATINGS:
16A 125VAC/8A 250VAC, T55C [cULus]

16(4)250V~ 1E4 T125/55 [VDE]
16(8)250V~ 1E4 T125/55 [VDE]

CONTACT RESISTANCE:
Initial: 35mΩ Max. at 50VAC

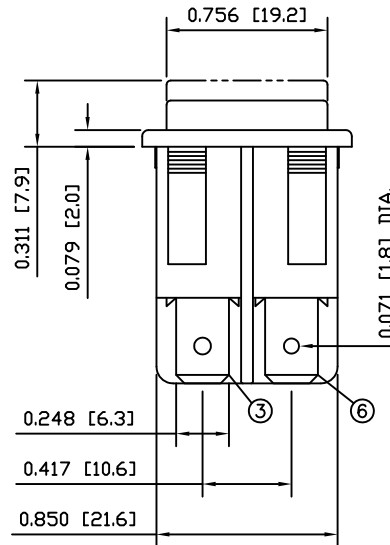
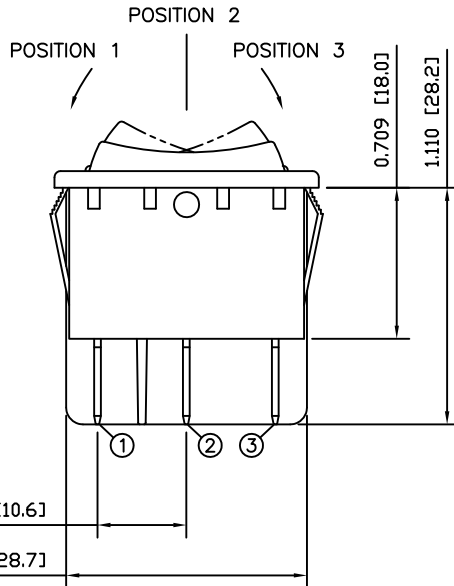
INSULATION RESISTANCE:
100MΩ Min. at 500VDC

DIELECTRIC STRENGTH:
1500VAC For 1 Minute

ELECTRICAL LIFE:
10,000 Cycles

TEMPERATURE:
Operating: -20C to +55C [cULus]
Operating: -20C to +125C [VDE]

APPROVALS:



COLORS AND MARKINGS

BODY:
Black

ACTUATOR:
Black

MARKINGS:
None

MARKING COLOR:
None

MATERIALS

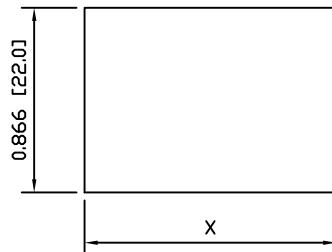
BODY:
Polyamide 6/6 (PA66) UL94 V-2

ACTUATOR:
Polyamide 6/6 (PA66) UL94 V-2

CONTACTS:
Silver Plated Copper

TERMINALS:
Silver Plated Copper

SUGGESTED PANEL CUTOUT



PANEL THICKNESS	X
0.030~0.049 [0.75~1.25]	1.181 [30.0]
0.049~0.079 [1.25~2.00]	1.189 [30.2]
0.079~0.118 [2.00~3.00]	1.197 [30.4]

UNLESS OTHERWISE SPECIFIED,
DIMENSIONS ARE IN INCHES [MILLIMETERS]
TOLERANCES ARE:

DEC .X±0.2	ANG ± 1°
.XXX±0.008	DRAWING NOT TO SCALE
DRAWN BY: STACEY CHRISTIANSON	

LAMB INDUSTRIES P.O. Box 25110
Portland, OR 97298

LAST REVISION:
MAY 12, 2008

DRAWING NUMBER: 38-RB24KC1100.dwg

RB24KC1100