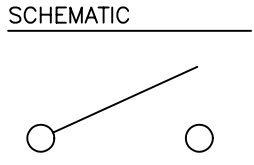
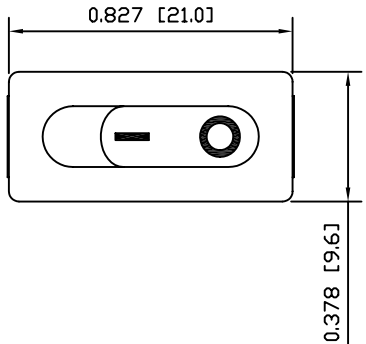


8 7 6 5 4 3 2 1



SPECIFICATIONS

FUNCTION:
1P1T OFF-ON

RATINGS:
10A 125VAC T105 [UL, cUL]
6(2)A 250V~ μ 1E4 T125/55 [European]

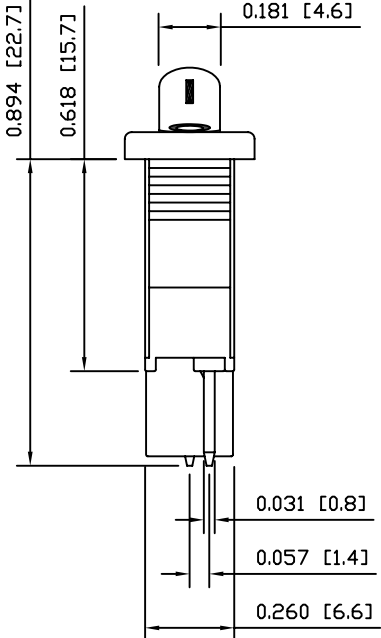
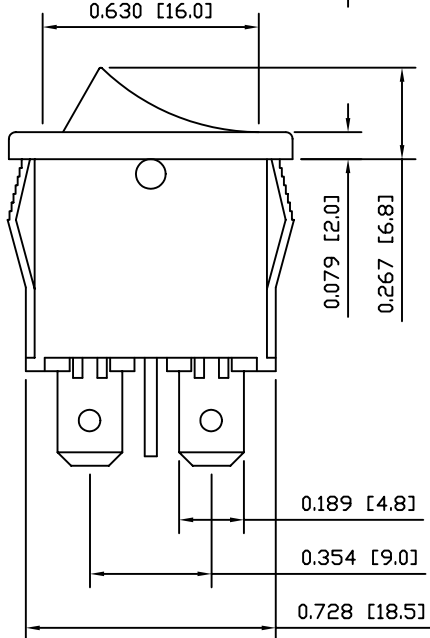
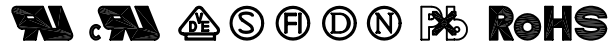
TEMPERATURE:
-30°C to 105°C [UL, cUL]
-30°C to 125°C [European]

CONTACT RESISTANCE:
Initial: 35mΩ Max. at 50VAC

INSULATION RESISTANCE:
100MΩ Min. at 500VAC

WITHSTAND VOLTAGE:
1,500VAC for 1 Minute

APPROVALS:



MATERIALS

BODY:
Polyamide 6/6 (PA66), UL 94V-2

ACTUATOR:
Polyamide 6/6 (PA66), UL 94V-2

CONTACTS:
Silver Plated Copper

ELECTRICAL TERMINALS:
Silver Plated Copper

COLORS AND MARKINGS

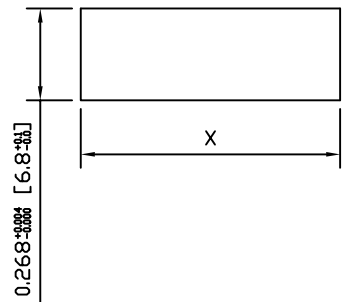
BODY:
Black

ACTUATOR:
Black

MARKINGS:
I/O Vertical

MARKING COLOR:
White

SUGGESTED PANEL CUTOUT



PANEL THICKNESS	X
0.030~0.049 [0.75~1.25]	0.756 [19.2]
0.049~0.079 [1.25~2.00]	0.764 [19.4]
0.079~0.118 [2.00~3.00]	0.772 [19.6]

UNLESS OTHERWISE SPECIFIED,
DIMENSIONS ARE IN INCHES [MILLIMETERS]
TOLERANCES ARE:
DEC .X±0.2 ANG ± 1°
.XXX±0.008 DRAWING NOT TO SCALE

LAMB INDUSTRIES P.O. Box 25110 Portland, OR 97298
DRAWING NUMBER: 38-RD11131121.dwg
LAST REVISION: OCT. 26, 2005
RD11131121

8 7 6 5 4 3 2 1