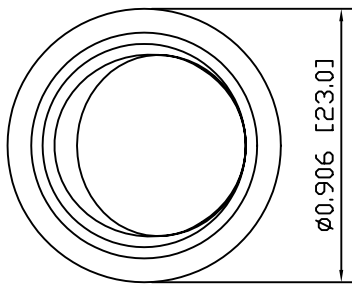


8 7 6 5 4 3 2 1

A

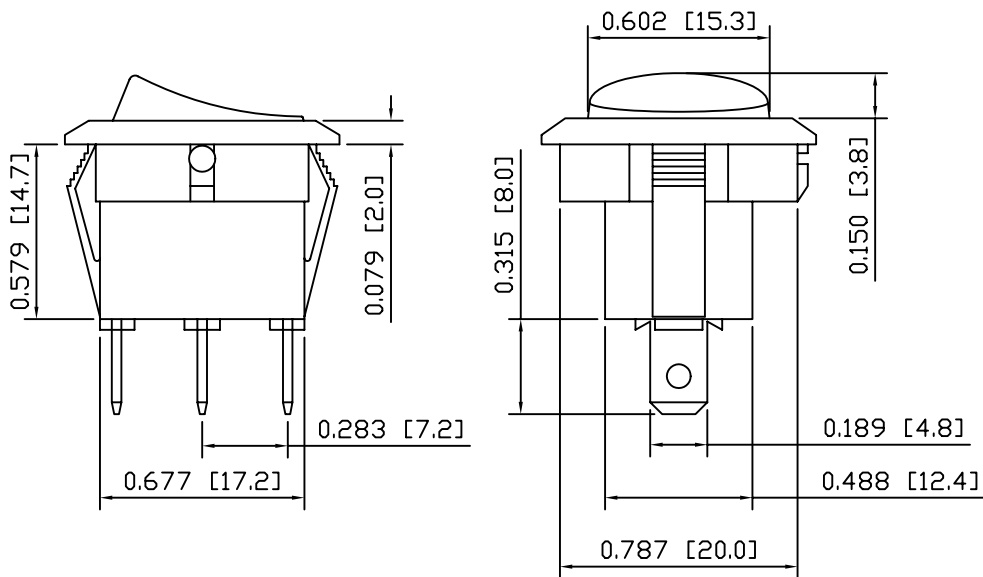


SPECIFICATIONS

FUNCTION:
1P1T OFF-ON

RATINGS:
UL Rating:
16A 125VAC
10A 250VAC
1/3HP 125-250VAC T105
European Rating:
10(4)A 250VAC T125 1E4

B



ILLUMINATION VOLTAGE:
125VAC

CONTACT RESISTANCE:
Max. 30mΩ

INSULATION RESISTANCE:
100MΩ at 500VDC

WITHSTAND VOLTAGE:
1500VAC For 1 Minute

ELECTRICAL LIFE:
10,000 Cycles

C

APPROVALS:

MATERIALS

COLORS AND MARKINGS

BODY:
Polyamide 6/6

ROCKER:
Polycarbonate

CONTACTS:
Silver Plated Copper

ELECTRICAL TERMINALS:
Silver Plated Copper

ILLUMINATION TERMINAL;
Brass

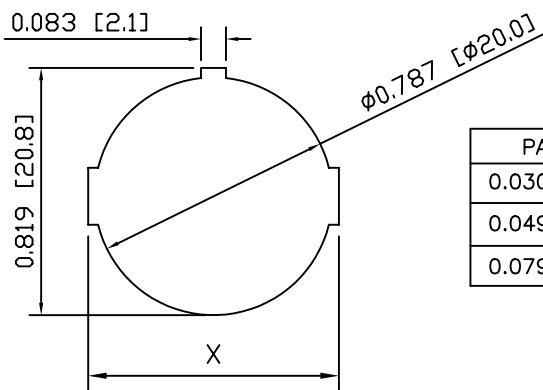
BODY:
Black

ROCKER:
Transparent Red

MARKING COLOR:
None

MARKINGS:
None

SUGGESTED PANEL CUTOUT



PANEL THICKNESS	X
0.030~0.049 [0.75~1.25]	0.800 [20.3]
0.049~0.079 [1.25~2.00]	0.819 [20.8]
0.079~0.118 [2.00~3.00]	0.831 [21.1]

D

UNLESS OTHERWISE SPECIFIED,
DIMENSIONS ARE IN INCHES [MILLIMETERS]
TOLERANCES ARE:
DEC .X±0.2 ANG ± 1'
.XXX± 0.008 DRAWING NOT TO SCALE

	P.O. Box 25110 Portland, OR 97298	LAST REVISION: MAR. 26, 2005
	DRAWING NUMBER: 38-RR111C1000-116.dwg	
RR111C1000-116		

8 7 6 5 4 3 2 1