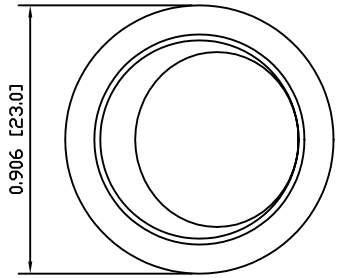
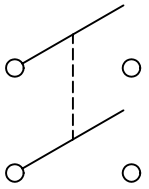


8 7 6 5 4 3 2 1

A



SCHEMATIC



SPECIFICATIONS

FUNCTION:
2P1T OFF-ON

RATINGS:
10A 125VAC [UL, cUL]

6(2)A 250V~ μ 1E4 T85 [VDE]

CONTACT RESISTANCE:
Initial: 35mΩ Max. at 50VAC

INSULATION RESISTANCE:
100MΩ Min. at 500VDC

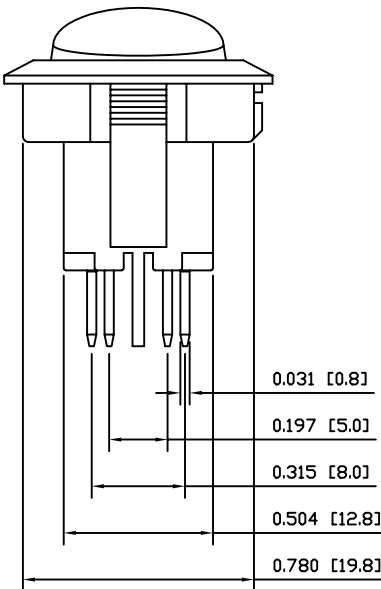
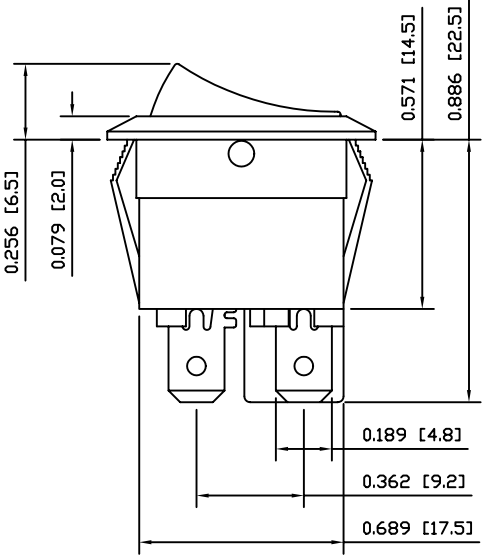
WITHSTAND VOLTAGE:
1,500VAC For 1 Minute

ELECTRICAL LIFE:
10,000 Cycles

TEMPERATURE:
Operating: -20°C to 105°C [UL, cUL]
Operating: -20°C to 85°C [VDE]

A

B



B

APPROVALS:



C

MATERIALS

BODY:
Polyamide 6/6 (PA66), UL94 V-2

ACTUATOR:
Polyamide 6/6 (PA66), UL94 V-2

CONTACTS:
Silver Plated Copper

TERMINALS:
Silver Plated Copper

COLORS AND MARKINGS

BODY:
Black

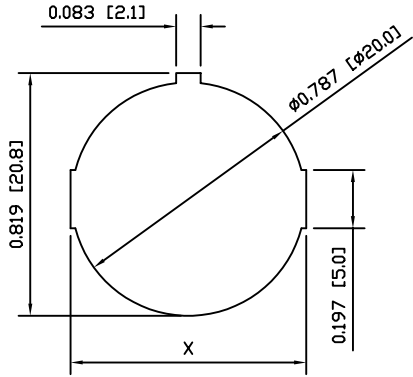
ACTUATOR:
Black

MARKINGS:
None

MARKING COLOR:
None

C

SUGGESTED PANEL CUTOUT



PANEL THICKNESS	X
0.030~0.049 [0.75~1.25]	0.795 [20.2]
0.049~0.079 [1.25~2.00]	0.803 [20.4]
0.079~0.118 [2.00~3.00]	0.811 [20.6]

D

D

LAMB INDUSTRIES P.O. Box 25110 Portland, OR 97298
LAST REVISION: NOV. 22, 2005

UNLESS OTHERWISE SPECIFIED, DIMENSIONS ARE IN INCHES [MILLIMETERS]
TOLERANCES ARE:
DEC .X±0.2 ANG ± 1°
.XXX±0.008 DRAWING NOT TO SCALE

DRAWING NUMBER: 38-RR81231100.dwg

RR81231100

8 7 6 5 4 3 2 1