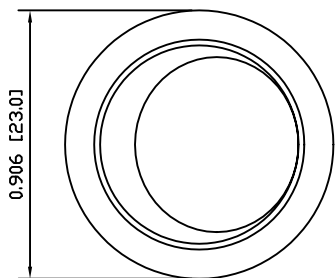
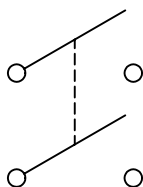


8 7 6 5 4 3 2 1

A



SCHEMATIC



SPECIFICATIONS

FUNCTION:
1P1T OFF-ON

RATINGS:
16A 125VAC [UL, cUL]
10A 250VAC [UL, cUL]

10(4)A 250V~ μ 1E4 T125 [VDE]
10(2)A 250V~ μ 5E4 T85 [VDE]

CONTACT RESISTANCE:
Initial: 35m Ω Max. at 50VAC

INSULATION RESISTANCE:
100M Ω Min. at 500VDC

WITHSTAND VOLTAGE:
1,500VAC For 1 Minute

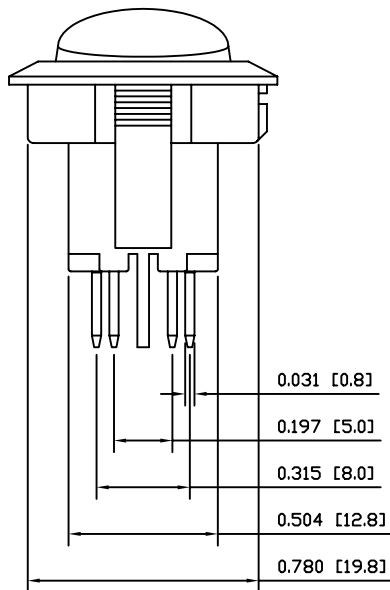
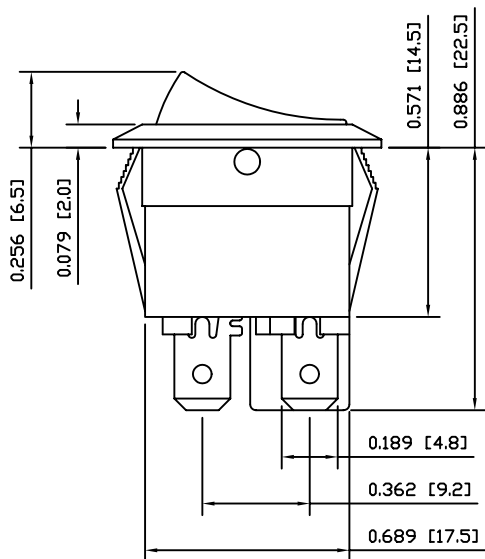
ELECTRICAL LIFE:
10,000 Cycles

TEMPERATURE:
Operating: -20°C to 105°C [UL, cUL]
Operating: -20°C to 125°C [VDE]

APPROVALS:



B



C

MATERIALS

BODY:
Polyamide 6/6 (PA66), UL94 V-2

ACTUATOR:
Polyamide 6/6 (PA66), UL94 V-2

CONTACTS:
Silver Plated Copper

TERMINALS:
Silver Plated Copper

COLORS AND MARKINGS

BODY:
Black

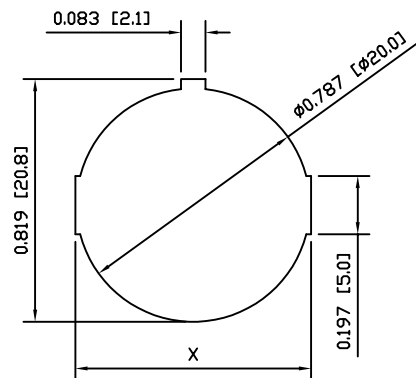
ACTUATOR:
Black

MARKINGS:
None

MARKING COLOR:
None

D

SUGGESTED PANEL CUTOUT



PANEL THICKNESS	X
0.030~0.049 [0.75~1.25]	0.795 [20.2]
0.049~0.079 [1.25~2.00]	0.803 [20.4]
0.079~0.118 [2.00~3.00]	0.811 [20.6]

8 7 6 5 4 3 2 1

UNLESS OTHERWISE SPECIFIED,
DIMENSIONS ARE IN INCHES [MILLIMETERS]
TOLERANCES ARE:
DEC .X \pm 0.2 ANG \pm 1°
.XXX \pm 0.008 DRAWING NOT TO SCALE

LAMB INDUSTRIES P.O. Box 25110 Portland, OR 97298
DRAWING NUMBER: 38-RR812C1100.dwg
LAST REVISION: NOV. 22, 2005
RR812C1100

A

B

C

D