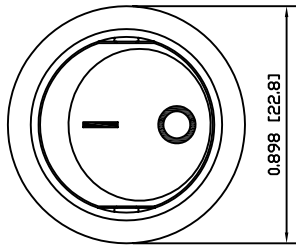
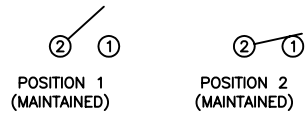


A



SCHEMATIC



SPECIFICATIONS

**FUNCTION:**  
1P1T OFF-ON

**RATINGS:**  
16A 125VAC [UR, cUR]  
10A 250VAC [UR, cUR]  
1/3HP 125/250VAC [UR, cUR]

15A 125V~ [NOM]  
7.5A 250V~ [NOM]

10(4)A 250V~ 1E4 μ T125/55 [VDE]

**CONTACT RESISTANCE:**  
Initial: 35mΩ Max. at 50VAC

**INSULATION RESISTANCE:**  
100MΩ Min. at 500VAC

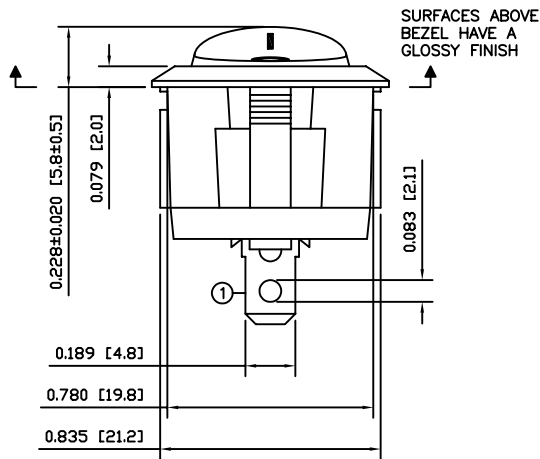
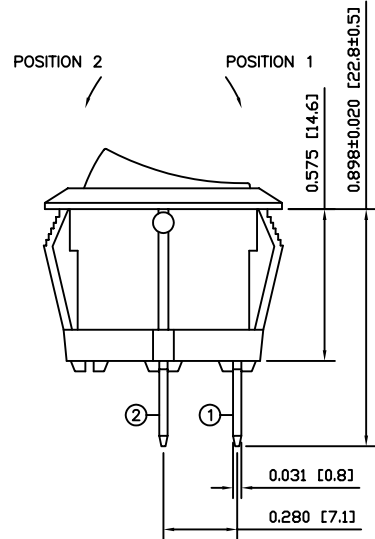
**DIELECTRIC STRENGTH:**  
1,500VAC For 1 Minute

**ELECTRICAL LIFE:**  
6,000 Cycles [UR, cUR, NOM]  
10,000 Cycles [VDE]

**TEMPERATURE:**  
Operating: -20°C to 105°C [UR, cUR, NOM]  
Operating: -20°C to 125°C [VDE]

A

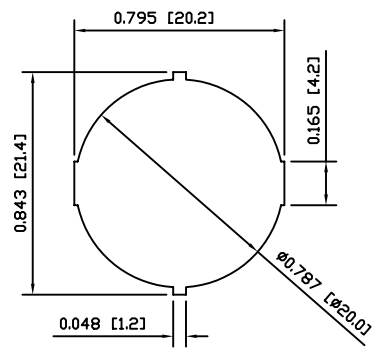
B



B

C

SUGGESTED PANEL CUTOUT



MATERIALS

**BODY:**  
Polyamide 6/6 (PA66), UL94 V-2

**ACTUATOR:**  
Polyamide 6/6 (PA66), UL94 V-2

**CONTACTS:**  
Silver Alloy Plated Copper

**TERMINALS:**  
Silver Plated Copper

COLORS AND MARKINGS

**BODY:**  
Black

**ACTUATOR:**  
Black

**MARKINGS:**  
I/O Vertical (1)

**MARKING COLOR:**  
White

C

D

|   |                                      |                                 |
|---|--------------------------------------|---------------------------------|
| UNLESS OTHERWISE SPECIFIED,<br>DIMENSIONS ARE IN INCHES [MILLIMETERS]<br>TOLERANCES ARE:<br>±0.008 [±0.2] ANG ± 1°<br>DRAWING NOT TO SCALE<br>DRAWN BY: CARL BUCHHEIT | P.O. Box 25110<br>Portland, OR 97298 | LAST REVISION:<br>DEC. 28, 2007 |
|   | DRAWING NUMBER: 38-RRG381C1121.dwg   |                                 |
|   | RRG381C1121                          |                                 |

D