

8

7

6

5

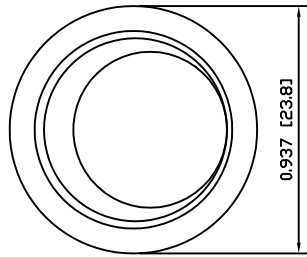
4

3

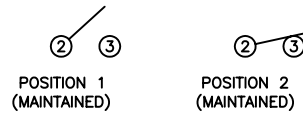
2

1

A



SCHEMATIC



SPECIFICATIONS

FUNCTION:
1P1T OFF-ON

RATINGS:
10A 125VAC [UR, cUR, NOM]
6A 250VAC [UR, cUR, NOM]

6A 250V~ 1E4 μ T85 [VDE]

CONTACT RESISTANCE:
Initial: 35m Ω Max. at 50VAC

INSULATION RESISTANCE:
100M Ω Min. at 500VAC

DIELECTRIC STRENGTH:
1,500VAC For 1 Minute

ELECTRICAL LIFE:
6,000 Cycles [UR, cUR, NOM]
10,000 Cycles [VDE]

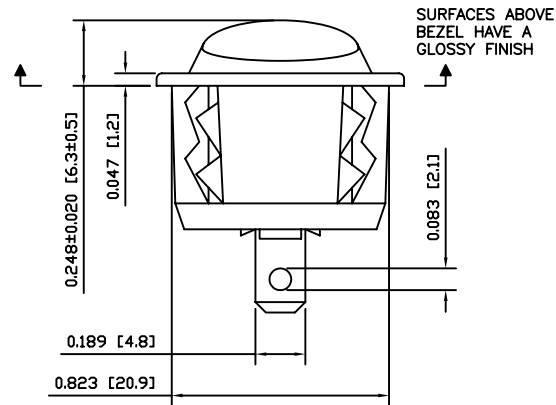
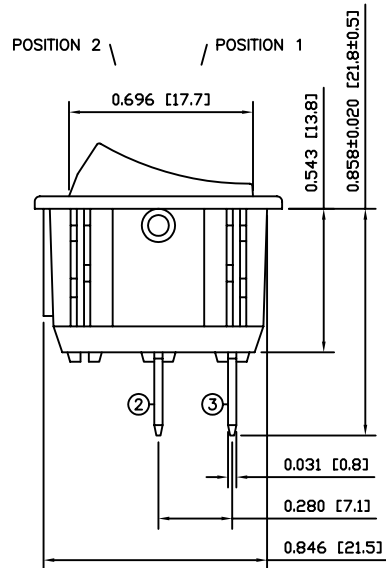
TEMPERATURE:
Operating: -20°C to 105°C [UR, cUR, NOM]
Operating: -20°C to 85°C [VDE]

APPROVALS:



A

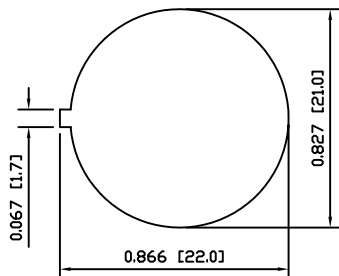
B



B

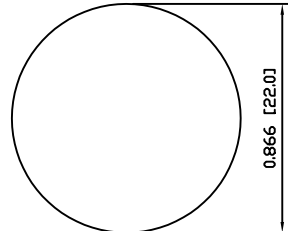
C

SUGGESTED PANEL CUTOUT



PANEL THICKNESS: 0.024~0.315 [0.6~8.0]

ALTERNATE PANEL CUTOUT



PANEL THICKNESS: 0.024~0.315 [0.6~8.0]

C

MATERIALS

BODY:
Polyamide 6/6 (PA66), UL94 V-2

ACTUATOR:
Polyamide 6/6 (PA66), UL94 V-2

CONTACTS:
Silver-Nickel Alloy

TERMINALS:
Silver Plated Copper

COLORS AND MARKINGS

BODY:
White

ACTUATOR:
White

MARKINGS:
None

MARKING COLOR:
None

D

D

UNLESS OTHERWISE SPECIFIED, DIMENSIONS ARE IN INCHES [MILLIMETERS] TOLERANCES ARE:	
DEC .X±0.2	ANG ± 1°
.XXX±0.008	DRAWING NOT TO SCALE
DRAWN BY: CARL BUCHHEIT	



LAST REVISION:
JAN. 7, 2008

DRAWING NUMBER: 38-RRGA8132200.dwg

RRGA8132200

8

7

6

5

4

3

2

1