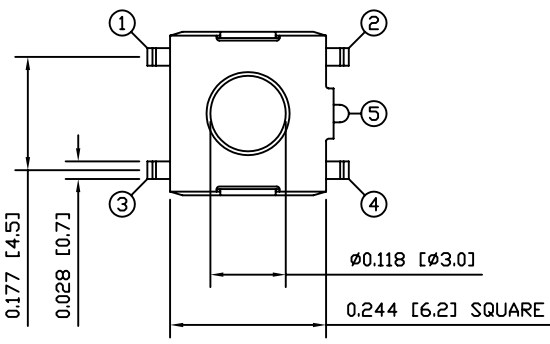
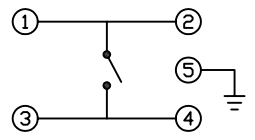


A



SCHEMATIC



SPECIFICATIONS

FUNCTION:  
1P1T OFF-(ON)

RATINGS:  
50mA 12VDC

OPERATING FORCE:  
160±50gf

TRAVEL:  
0.012±0.004 [0.30±0.1]

CONTACT RESISTANCE:  
Initial: 100mΩ Max. at 10mA 5VDC

INSULATION RESISTANCE:  
100MΩ at 100VDC

DIELECTRIC STRENGTH:  
250VAC For 1 Minute

ELECTRICAL LIFE:  
100,000 Cycles

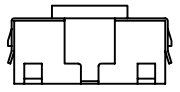
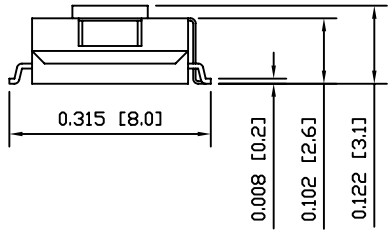
SHOCK RESISTANCE:  
Mil-Std. 202, Method 213

VIBRATION RESISTANCE:  
Mil-Std. 202, Method 201

TEMPERATURE:  
Operating: -20°C to 70°C  
Storage: -30°C to 80°C

A

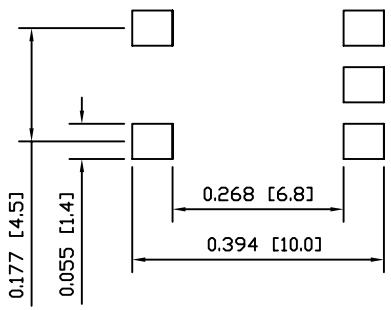
B



B

C

SUGGESTED PCB LAYOUT



MATERIALS

BASE:  
Polyamide 6/6 (PA66), UL94 V-2

COVER:  
Tin Plated Brass

ACTUATOR:  
Polyamide 6/6 (PA66), UL94 V-2

CONTACTS:  
Silver Plated Phosphor Bronze

TERMINALS:  
Silver Plated Brass

PACKAGING


Bulk

C

D

**RoHS**

D

UNLESS OTHERWISE SPECIFIED, DIMENSIONS ARE IN INCHES [MILLIMETERS] TOLERANCES ARE:		 P.O. Box 25110 Portland, OR 97298	LAST REVISION: AUG. 4, 2006
DEC .X±0.2	ANG ± 1°		DRAWING NUMBER: 48-LJTP1122.dwg
.XXX±0.008	DRAWING NOT TO SCALE	<h1>LJTP1122</h1>	
DRAWN BY: CARL BUCHHEIT			