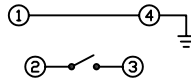


SCHEMATIC



SPECIFICATIONS

FUNCTION:  
1P1T OFF-(ON)

RATINGS:  
50mA 12VDC

OPERATING FORCE:  
200±30gf

TRAVEL:  
0.012±0.004 [0.30±0.1]

CONTACT RESISTANCE:  
Initial: 100mΩ Max. at 10mA 5VDC

INSULATION RESISTANCE:  
100MΩ at 100VDC

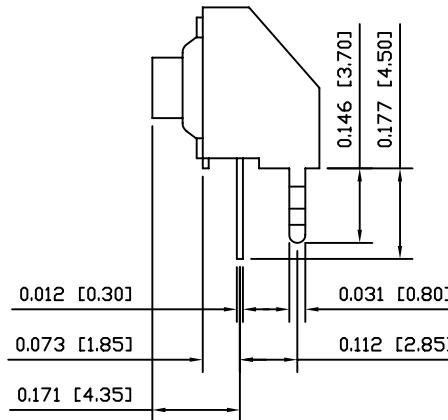
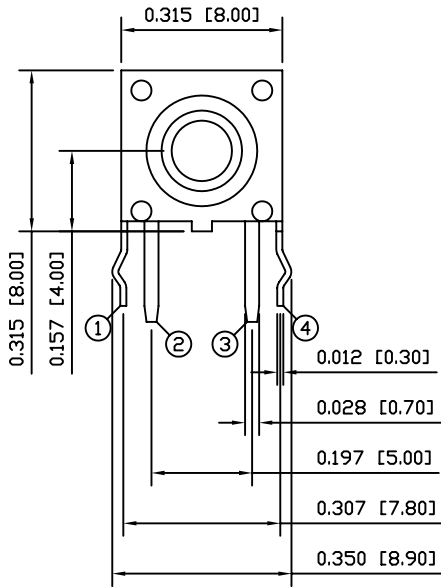
DIELECTRIC STRENGTH:  
250VAC For 1 Minute

ELECTRICAL LIFE:  
100,000 Cycles

SHOCK RESISTANCE:  
Mil-Std. 202, Method 213

VIBRATION RESISTANCE:  
Mil-Std. 202, Method 201

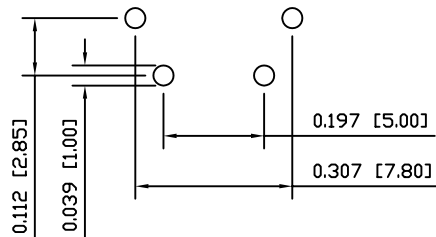
TEMPERATURE:  
Operating: -20°C to 70°C  
Storage: -30°C to 80°C



APPROVALS:

**RoHS**

SUGGESTED PCB LAYOUT



MATERIALS

BASE:  
Polyamide 6/6 (PA66), UL94 V-2

COVER:  
Tin Plated Brass

ACTUATOR:  
Polyamide 6/6 (PA66), UL94 V-2

CONTACTS:  
Silver Plated Phosphor Bronze

TERMINALS:  
Silver Plated Brass

PACKAGING

Bulk

UNLESS OTHERWISE SPECIFIED,  
DIMENSIONS ARE IN INCHES [MILLIMETERS]  
TOLERANCES ARE:

DEC .X±0.2	ANG ± 1°
.XXX±0.008	DRAWING NOT TO SCALE
DRAWN BY: CARL BUCHHEIT	

**LAMB**  
INDUSTRIES P.O. Box 25110  
Portland, OR 97298

LAST REVISION:  
DEC. 20, 2006

DRAWING NUMBER: 48-LJTP1129.dwg

LJTP1129