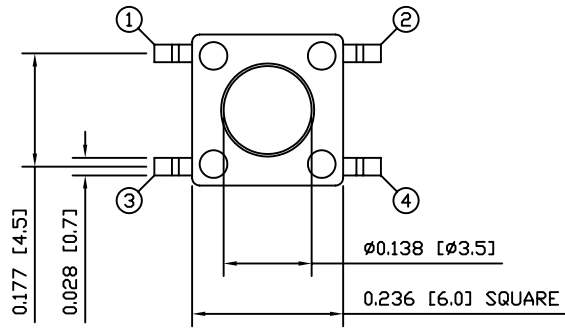
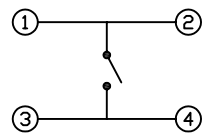


A

A



SCHEMATIC

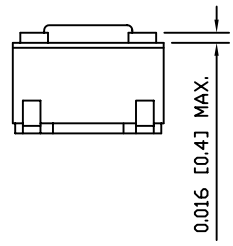
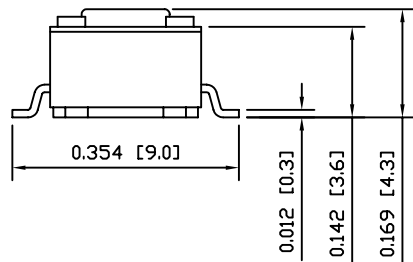


SPECIFICATIONS

- FUNCTION:  
1P1T OFF-(ON)
- RATINGS:  
50mA 12VDC
- OPERATING FORCE:  
160±50gf
- TRAVEL:  
0.010±0.004 [0.25±0.1]
- CONTACT RESISTANCE:  
Initial: 100mΩ Max.
- INSULATION RESISTANCE:  
100MΩ at 500VDC
- WITHSTAND VOLTAGE:  
250VAC For 1 Minute
- ELECTRICAL LIFE:  
100,000 Cycles
- SHOCK RESISTANCE:  
Mil-Std. 202F, Method 213B
- VIBRATION RESISTANCE:  
Mil-Std. 202F, Method 201A
- TEMPERATURE:  
Operating: -25°C to 70°C  
Storage: -30°C to 80°C

B

B



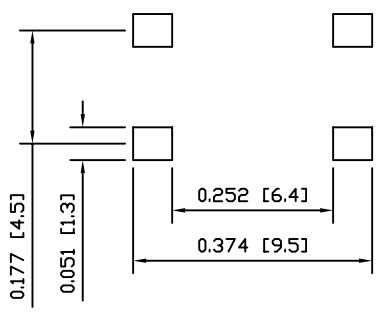
APPROVALS:



C

C

SUGGESTED PCB LAYOUT



PACKAGING

Bulk

MATERIALS

- BASE:  
Polyamide 4/6 (PA46), UL94 V-2
- COVER:  
Stainless Steel
- ACTUATOR:  
Polyamide 4/6 (PA46), UL94 V-2
- CONTACTS:  
Stainless Steel
- TERMINALS:  
Silver Plated Brass

D

D

UNLESS OTHERWISE SPECIFIED, DIMENSIONS ARE IN INCHES [MILLIMETERS] TOLERANCES ARE:	
DEC .X±0.2	ANG ± 1°
.XXX±0.008	DRAWING NOT TO SCALE
DRAWN BY: CARL BUCHHEIT	

P.O. Box 25110 Portland, OR 97298	LAST REVISION: JUNE 7, 2006
	DRAWING NUMBER: 48-JLTP1138.dwg
LJTP1138	