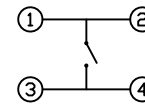


**SCHEMATIC**



**SPECIFICATIONS**

- FUNCTION:**  
1P1T OFF-(ON)
- RATINGS:**  
50mA 12VDC
- OPERATING FORCE:**  
160±30gf
- TRAVEL:**  
0.010±0.004 [0.25±0.1]
- CONTACT RESISTANCE:**  
Initial: 100mΩ Max. at 10mA 5VDC
- INSULATION RESISTANCE:**  
100MΩ at 100VDC
- WITHSTAND VOLTAGE:**  
250VAC For 1 Minute
- ELECTRICAL LIFE:**  
100,000 Cycles
- TEMPERATURE:**  
Operation: -20°C to 70°C  
Storage: -30°C to 80°C
- VIBRATION TEST:**  
MIL-STD 202 METHOD 201
- SHOCK TEST:**  
MIL-STD 202 METHOD 213
- APPROVALS:**

**RoHS**

**MATERIALS**

- BASE:**  
Polyamide 6/6 (PA66), UL94 V-2
- COVER:**  
Stainless Steel
- ACTUATOR:**  
Polyamide 6/6 (PA66), UL94 V-2
- CONTACTS:**  
Silver Plated Phosphor Bronze
- TERMINALS:**  
Silver Plated Brass

A

A

B

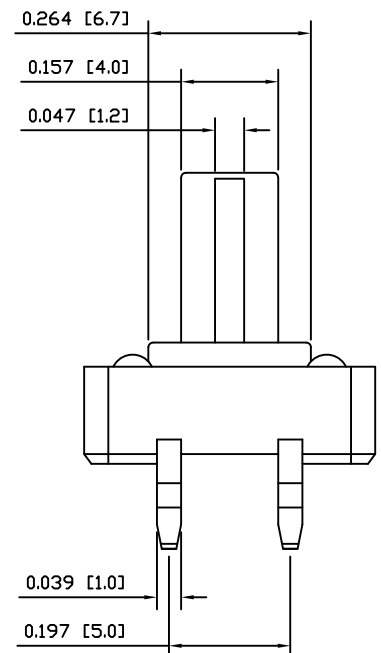
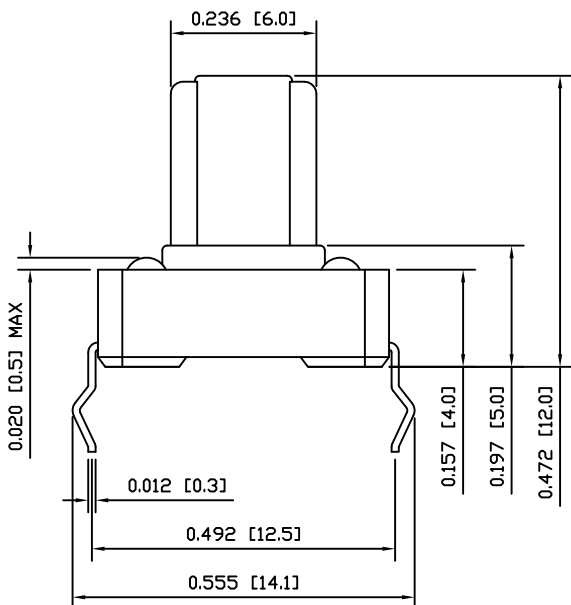
B

C

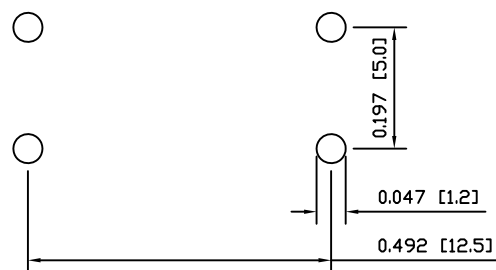
C

D

D



**SUGGESTED PCB LAYOUT**



UNLESS OTHERWISE SPECIFIED,  
DIMENSIONS ARE IN INCHES [MILLIMETERS]  
TOLERANCES ARE:  
DEC .X±0.2 ANG ± 1°  
.XXX±0.008 DRAWING NOT TO SCALE  
DRAWN BY: CARL BUCHHEIT

	P.O. Box 25110 Portland, OR 97298	LAST REVISION: FEB. 8, 2006
	DRAWING NUMBER: 48-LJTP1212B.dwg	
<h1>LJTP1212B</h1>		

8

7

6

5

4

3

2

1